

# The RF Line

## NPN Silicon

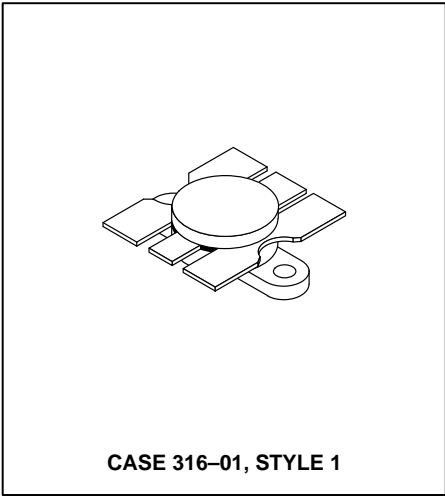
### RF Power Transistor

... designed primarily for wideband large-signal output and driver amplifier stages in 100 to 500 MHz frequency range.

- Specified 28 Volt, 400 MHz Characteristics —  
Output Power = 30 Watts  
Minimum Gain = 8.5 dB  
Efficiency = 54% (Min)
- Built-In Matching Network for Broadband Operation Using Internal Matching Techniques
- 100% Tested for Load Mismatch at all Phase Angles with 30:1 VSWR
- Gold Metallization for High Reliability Applications



**30 W, 225 to 400 MHz  
CONTROLLED "Q"  
BROADBAND RF POWER  
TRANSISTOR  
NPN SILICON**



#### MAXIMUM RATINGS

Rating	Symbol	Value	Unit
Collector-Emitter Voltage	V <sub>CEO</sub>	33	Vdc
Collector-Base Voltage	V <sub>CBO</sub>	60	Vdc
Emitter-Base Voltage	V <sub>EBO</sub>	4.0	Vdc
Collector Current — Continuous — Peak	I <sub>C</sub>	3.4 4.5	Adc
Total Device Dissipation @ T <sub>C</sub> = 25°C (1) Derate above 25°C	P <sub>D</sub>	82 0.47	Watts W/°C
Storage Temperature Range	T <sub>stg</sub>	-65 to +150	°C

#### THERMAL CHARACTERISTICS

Characteristic	Symbol	Max	Unit
Thermal Resistance, Junction to Case	R <sub>θJC</sub>	2.13	°C/W

#### ELECTRICAL CHARACTERISTICS (T<sub>C</sub> = 25°C unless otherwise noted.)

Characteristic	Symbol	Min	Typ	Max	Unit
----------------	--------	-----	-----	-----	------

#### OFF CHARACTERISTICS

Collector-Emitter Breakdown Voltage (I <sub>C</sub> = 30 mAdc, I <sub>B</sub> = 0)	V <sub>(BR)CEO</sub>	33	—	—	Vdc
Collector-Emitter Breakdown Voltage (I <sub>C</sub> = 30 mAdc, V <sub>BE</sub> = 0)	V <sub>(BR)CES</sub>	60	—	—	Vdc
Emitter-Base Breakdown Voltage (I <sub>E</sub> = 3.0 mAdc, I <sub>C</sub> = 0)	V <sub>(BR)EBO</sub>	4.0	—	—	Vdc
Collector-Base Breakdown Voltage (I <sub>C</sub> = 30 mAdc, I <sub>E</sub> = 0)	V <sub>(BR)CBO</sub>	60	—	—	Vdc
Collector Cutoff Current (V <sub>CB</sub> = 30 Vdc, I <sub>E</sub> = 0)	I <sub>CBO</sub>	—	—	3.0	mAdc

#### ON CHARACTERISTICS

DC Current Gain (I <sub>C</sub> = 1.5 Adc, V <sub>CE</sub> = 5.0 Vdc)	h <sub>FE</sub>	20	—	80	—
--	-----------------	----	---	----	---

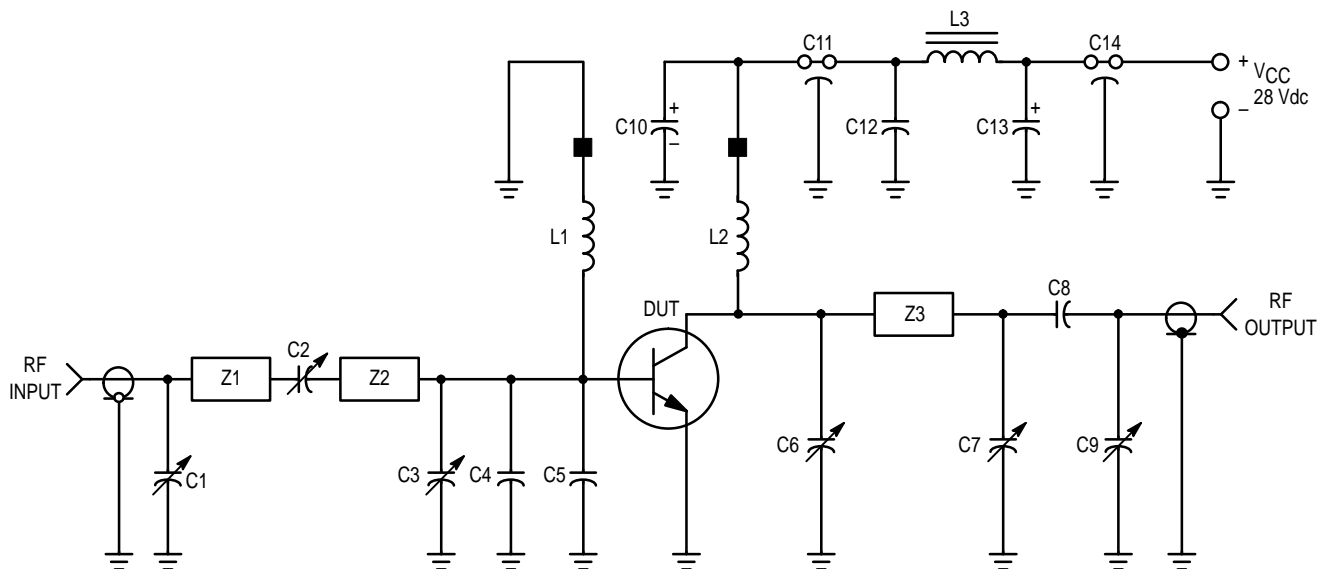
NOTE:

- This device is designed for RF operation. The total device dissipation rating applies only when the device is operated as an RF amplifier.

(continued)

**ELECTRICAL CHARACTERISTICS — continued** ( $T_C = 25^\circ\text{C}$  unless otherwise noted.)

Characteristic	Symbol	Min	Typ	Max	Unit
<b>DYNAMIC CHARACTERISTICS</b>					
Output Capacitance ( $V_{CB} = 28\text{ Vdc}$ , $I_E = 0$ , $f = 1.0\text{ MHz}$ )	$C_{ob}$	—	30	40	pF
<b>FUNCTIONAL TESTS</b> (Figure 1)					
Common-Emitter Amplifier Power Gain ( $V_{CC} = 28\text{ Vdc}$ , $P_{out} = 30\text{ W}$ , $f = 400\text{ MHz}$ )	$G_{PE}$	8.5	9.5	—	dB
Collector Efficiency ( $V_{CC} = 28\text{ Vdc}$ , $P_{out} = 30\text{ W}$ , $f = 400\text{ MHz}$ )	$\eta$	50	60	—	%
Load Mismatch ( $V_{CC} = 28\text{ Vdc}$ , $P_{out} = 30\text{ W}$ , $f = 400\text{ MHz}$ , $VSWR = 30:1$ all angles)	$\psi$	No Degradation in Output Power			



- C1, C9 — 1.0–10 pF Johanson Capacitor (JMC 5201)
- C2, C3, C6, C7 — 1.0–20 pF Johanson Capacitor (JMC 5501)
- C4, C5 — 36 pF ATC 100–mil Chip Capacitor
- C8 — 100 pF UNELCO
- C10, C13 — 1.0  $\mu\text{F}$  50 V Tantalum
- C11, C14 — 680 pF Feedthru
- C12 — 0.1  $\mu\text{F}$  Erie Redcap
- L1 — 8 Turns #26 AWG Enameled, 1/16" ID Closewound with Ferroxcube Bead (#56–590–65/4B) on Ground End

- L2 — 14 Turns, #22 AWG Enameled, Closewound on a 470  $\Omega$ , 2.0 Watt Resistor with Ferroxcube Bead (#56–590–65/4B) on Cold End of L2
- L3 — Ferroxcube VK200–19/4B Ferrite Choke
- Z1 — Microstrip 0.19" W x 0.88" L
- Z2 — Microstrip 0.28" W x 1.0" L
- Z3 — Microstrip 0.31" W x 1.25" L
- Board — Glass Teflon  $\epsilon_r = 2.56$ ,  $t = 0.062"$
- Input/Output Connectors — Type N
- DUT Socket Lead Frame Etched from 80–mil–Thick Copper

**Figure 1. 400 MHz Test Circuit**

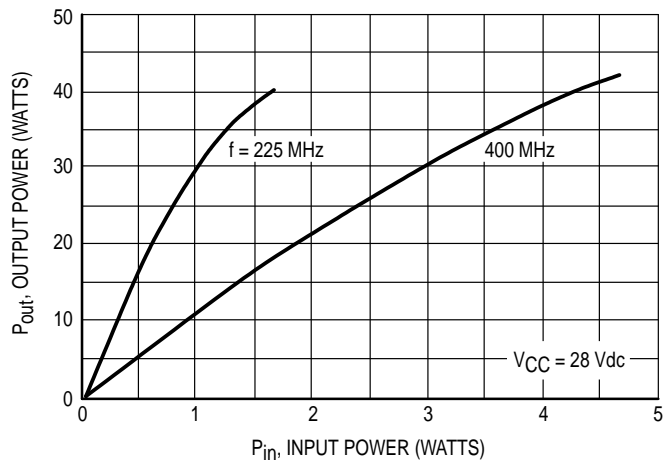


Figure 2. Output Power versus Input Power

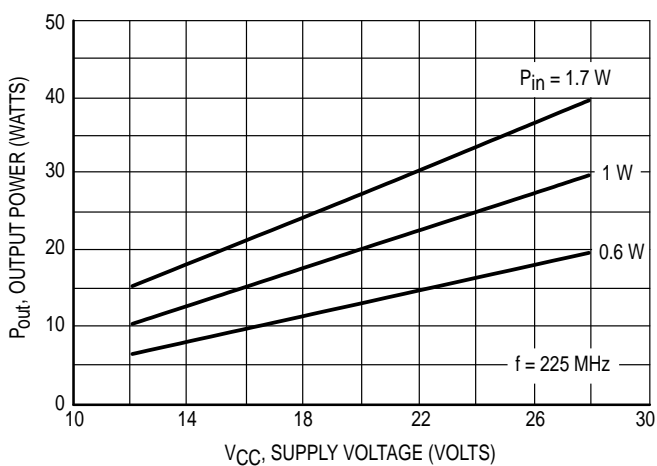


Figure 3. Output Power versus Supply Voltage

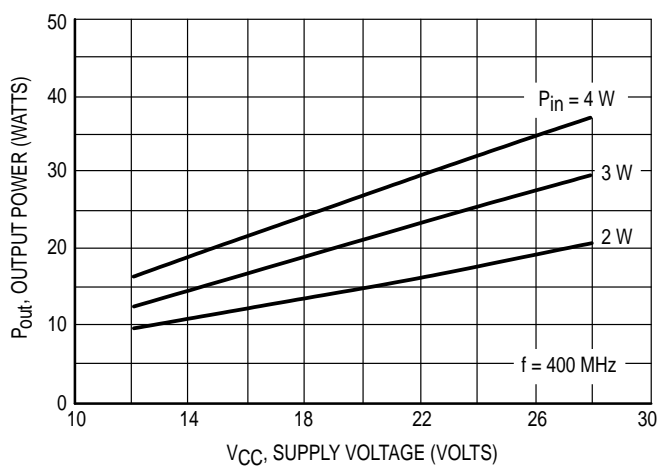
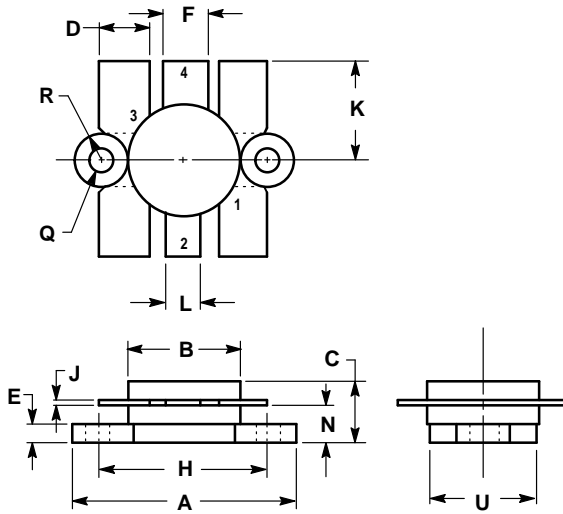


Figure 4. Output Power versus Supply Voltage



# PACKAGE DIMENSIONS




NOTES:  
1. FLANGE IS ISOLATED IN ALL STYLES.

DIM	INCHES		MILLIMETERS	
	MIN	MAX	MIN	MAX
A	24.38	25.14	0.960	0.990
B	12.45	12.95	0.490	0.510
C	5.97	7.62	0.235	0.300
D	5.33	5.58	0.210	0.220
E	2.16	3.04	0.085	0.120
F	5.08	5.33	0.200	0.210
H	18.29	18.54	0.720	0.730
J	0.10	0.15	0.004	0.006
K	10.29	11.17	0.405	0.440
L	3.81	4.06	0.150	0.160
N	3.81	4.31	0.150	0.170
Q	2.92	3.30	0.115	0.130
R	3.05	3.30	0.120	0.130
U	11.94	12.57	0.470	0.495

STYLE 1:  
PIN 1. EMITTER  
2. COLLECTOR  
3. EMITTER  
4. BASE

**CASE 316-01  
ISSUE D**

Motorola reserves the right to make changes without further notice to any products herein. Motorola makes no warranty, representation or guarantee regarding the suitability of its products for any particular purpose, nor does Motorola assume any liability arising out of the application or use of any product or circuit, and specifically disclaims any and all liability, including without limitation consequential or incidental damages. "Typical" parameters can and do vary in different applications. All operating parameters, including "Typicals" must be validated for each customer application by customer's technical experts. Motorola does not convey any license under its patent rights nor the rights of others. Motorola products are not designed, intended, or authorized for use as components in systems intended for surgical implant into the body, or other applications intended to support or sustain life, or for any other application in which the failure of the Motorola product could create a situation where personal injury or death may occur. Should Buyer purchase or use Motorola products for any such unintended or unauthorized application, Buyer shall indemnify and hold Motorola and its officers, employees, subsidiaries, affiliates, and distributors harmless against all claims, costs, damages, and expenses, and reasonable attorney fees arising out of, directly or indirectly, any claim of personal injury or death associated with such unintended or unauthorized use, even if such claim alleges that Motorola was negligent regarding the design or manufacture of the part. Motorola and  are registered trademarks of Motorola, Inc. Motorola, Inc. is an Equal Opportunity/Affirmative Action Employer.

**Literature Distribution Centers:**

USA: Motorola Literature Distribution; P.O. Box 20912; Phoenix, Arizona 85036.

EUROPE: Motorola Ltd.; European Literature Centre; 88 Tanners Drive, Blakelands, Milton Keynes, MK14 5BP, England.

JAPAN: Nippon Motorola Ltd.; 4-32-1, Nishi-Gotanda, Shinagawa-ku, Tokyo 141, Japan.

ASIA PACIFIC: Motorola Semiconductors H.K. Ltd.; Silicon Harbour Center, No. 2 Dai King Street, Tai Po Industrial Estate, Tai Po, N.T., Hong Kong.



MRF325/D