



4-BIT MICROCONTROLLER

Table of Contents--

GENERAL DESCRIPTION	2
FEATURES	2
PIN CONFIGURATION	3
PIN DESCRIPTION	4
BLOCK DIAGRAM	5
FUNCTIONAL DESCRIPTION	6
ABSOLUTE MAXIMUM RATINGS	32
DC CHARACTERISTICS	32
AC CHARACTERISTICS	33
PAD ASSIGNMENT & POSITIONS	34
TYPICAL APPLICATION CIRCUIT	36
INSTRUCTION SET TABLE	37
PACKAGE DIMENSIONS	85



GENERAL DESCRIPTION

The W741C250 is a high-performance 4-bit microcontroller (μC) that provides an LCD driver. The device contains a 4-bit ALU, two 8-bit timers, a divider, a 24×4 LCD driver, and five 4-bit I/O ports (including 1 output port for LED driving). There are also five interrupt sources and 8-level subroutine nesting for interrupt applications. The W741C250 operates on low voltage and very low current and has two power reduction modes, hold mode and stop mode, which help to minimize power dissipation.

The W741C250 is suitable for remote controllers, watches and clocks, multiple I/O products, keyboard controllers, speech synthesis LSI controllers, and other products.

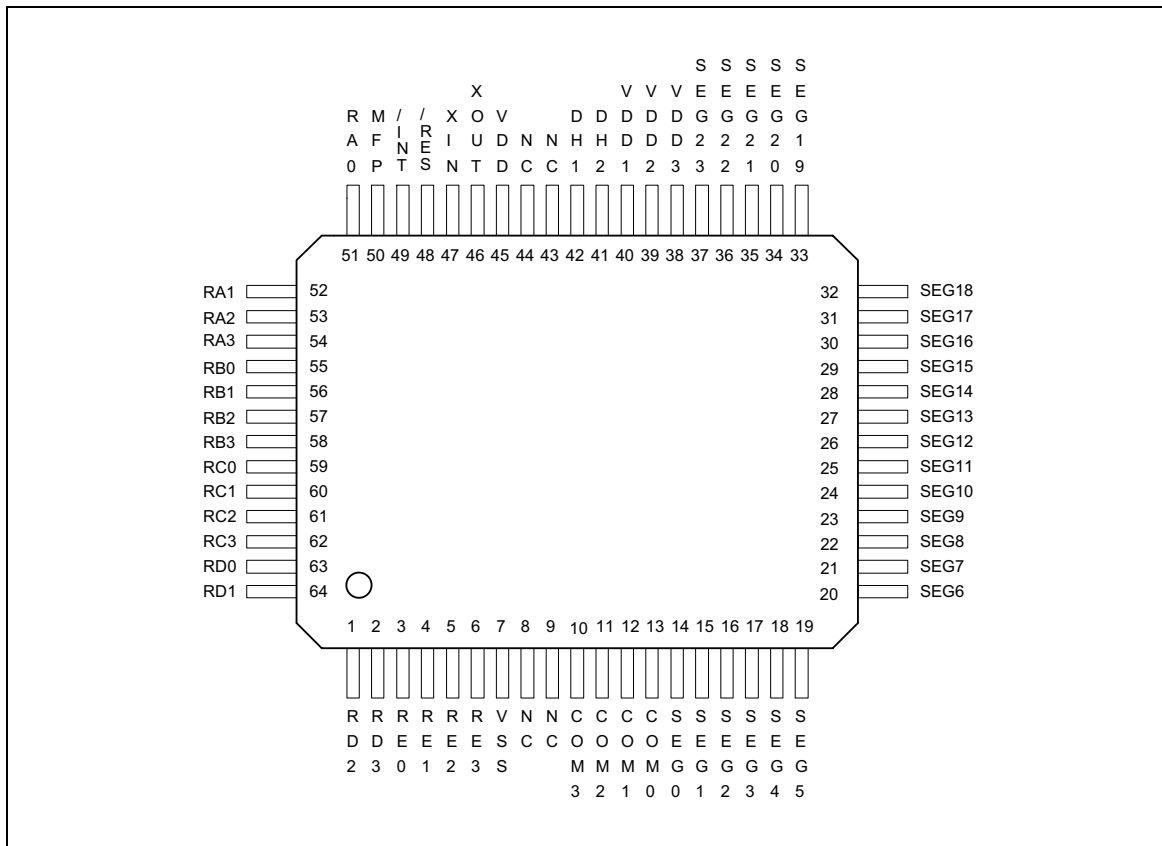
FEATURES

- Operating voltage: 2.2V to 5.5V (LCD drive voltage: 3.0V or 4.5V)
- Operating frequency up to 4 MHz
- Crystal/RC oscillation circuit selectable by code option for system clock
- High-frequency clock (400 KHz to 4 MHz) or low-frequency clock (32.768 KHz) for crystal mode by code option
- Memory
 - 2048 \times 16 bit program ROM (including 2K \times 4 bit look-up table)
 - 128 \times 4 bit data RAM (including 16 working registers)
 - 24 \times 4 LCD data RAM
- 21 input/output pins
 - Ports for input only: 2 ports/8 pins
 - Input/output ports: 2 ports/8 pins
 - Port for output only: 1 port /4 pins (high sink current for LED driving)
 - MFP output pin: 1 pin (MFP)
- Power-down mode
 - Hold function: no operation (except for oscillator)
 - Stop function: no operation (including oscillator)
- Five types of interrupts
 - Three internal interrupts (Divider 0, Timer 0, Timer 1)
 - Two external interrupts (Port RC and $\overline{\text{INT}}$ pin)
- LCD driver output
 - 24 segment \times 4 common
 - Static, 1/2 duty (1/2 bias), 1/3 duty (1/2 or 1/3 bias), 1/4 duty (1/3 bias) driving mode can be selected
 - LCD driver output pins can be used as DC output port by code option



- MFP output pin
 - Output is software selectable as modulating or nonmodulating frequency
 - Works as frequency output specified by Timer 1
- Built-in 14-bit clock frequency divider circuit
- Two built-in 8-bit programmable countdown timers
 - Timer 0: One of two internal clock frequencies (FOSC/4 or FOSC/1024) can be selected
 - Timer 1: Offers auto-reload function and one of two internal clock frequencies (FOSC or FOSC/64) can be selected or falling edge of pin RC.0 can be selected (output through MFP pin)
- Built-in 18/14-bit watchdog timer selectable for system reset
- Powerful instruction set: 116 instructions
- 8-level subroutine (include interrupt) nesting
- Up to 1 μ S instruction cycle (with 4 MHz operating frequency)
- Packaged in 64-pin QFP

PIN CONFIGURATION





PIN DESCRIPTION

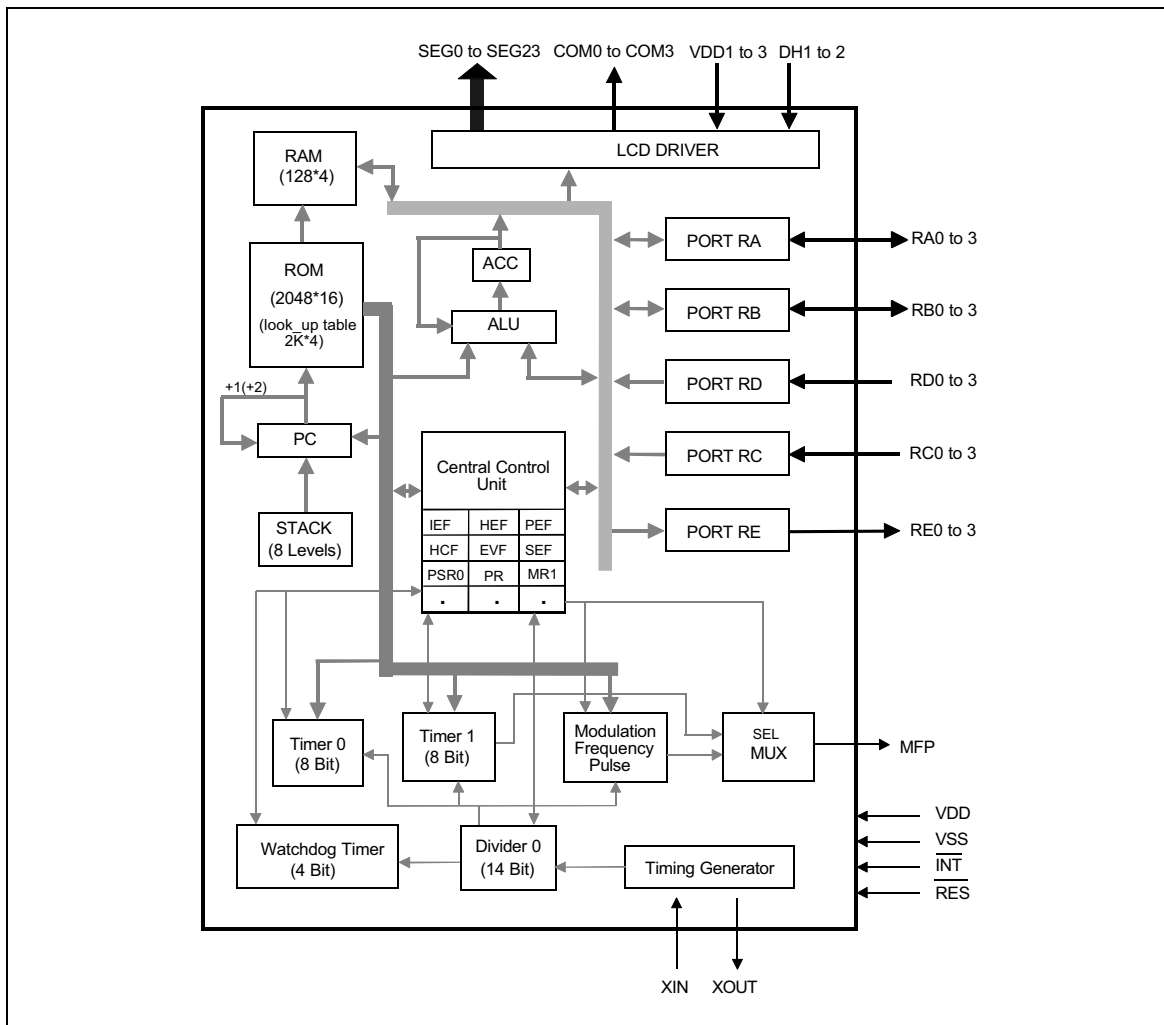
SYMBOL	I/O	FUNCTION																									
XIN	I	Input pin for oscillator. Connected to crystal or resistor to generate system clock by code option.																									
XOUT	O	Output pin for oscillator. Connected to crystal or resistor to generate system clock by code option.																									
RA0–RA3	I/O	Input/Output port. Input/output mode specified by port mode 1 register (PM1).																									
RB0–RB3	I/O	Input/Output port. Input/output mode specified by port mode 2 register (PM2).																									
RC0–RC3	I	4-bit port for input only. Each pin has an independent interrupt capability.																									
RD0–RD3	I	4-bit port for input only.																									
RE0–RE3	O	Output port only. This port provides high sink current to drive LED.																									
MFP	O	Output pin only. This pin can output modulating or nonmodulating frequency, or Timer 1 clock output specified by mode register 1 (MR1).																									
$\overline{\text{INT}}$	I	External interrupt pin with pull-high resistor.																									
RES	I	System reset pin with pull-high resistor.																									
SEG0–SEG23	O	LCD segment output pins. Also can be used as DC output ports specified by code option.																									
COM0–COM3	O	LCD common signal output pins. <table border="1" style="margin-left: 20px;"> <thead> <tr> <th></th> <th>Static</th> <th>1/2 Duty</th> <th>1/3 Duty</th> <th>1/4 Duty</th> </tr> </thead> <tbody> <tr> <td>COM0</td> <td>Used</td> <td>Used</td> <td>Used</td> <td>Used</td> </tr> <tr> <td>COM1</td> <td>Not Used</td> <td>Used</td> <td>Used</td> <td>Used</td> </tr> <tr> <td>COM2</td> <td>Not Used</td> <td>Not Used</td> <td>Used</td> <td>Used</td> </tr> <tr> <td>COM3</td> <td>Not Used</td> <td>Not Used</td> <td>Not Used</td> <td>Used</td> </tr> </tbody> </table> <p>The LCD alternating frequency can be selected by code option.</p>		Static	1/2 Duty	1/3 Duty	1/4 Duty	COM0	Used	Used	Used	Used	COM1	Not Used	Used	Used	Used	COM2	Not Used	Not Used	Used	Used	COM3	Not Used	Not Used	Not Used	Used
	Static	1/2 Duty	1/3 Duty	1/4 Duty																							
COM0	Used	Used	Used	Used																							
COM1	Not Used	Used	Used	Used																							
COM2	Not Used	Not Used	Used	Used																							
COM3	Not Used	Not Used	Not Used	Used																							



Pin Description, continued

SYMBOL	I/O	FUNCTION
DH1, DH2	I	Connection terminals for voltage doubler (halver) capacitor.
VDD1, VDD2, VDD3	I	Positive (+) supply voltage terminal. Refer to Functional Description.
VDD	I	Positive power supply (+).
VSS	I	Negative power supply (-).

BLOCK DIAGRAM





FUNCTIONAL DESCRIPTION

Program Counter (PC)

Organized as an 11-bit binary counter (PC0 to PC10), the program counter generates the addresses of the 2048 × 16 on-chip ROM containing the program instruction words. When jump or subroutine call instructions or interrupt or initial reset conditions are to be executed, the address corresponding to the instruction will be loaded into the program counter. The format used is shown below.

ITEM	ADDRESS	INTERRUPT PRIORITY
Initial Reset	000H	-
INT 0 (Divider 0)	004H	1st
INT 1 (Timer 0)	008H	2nd
INT 2 (Port RC)	00CH	3rd
INT 4 ($\overline{\text{INT}}$ pin)	014H	4th
INT 7 (Timer 1)	020H	5th
JP Instruction	XXXH	-
Subroutine Call	XXXH	-

Stack Register (STACK)

The stack register is organized as 11 bits × 8 levels (first-in, last-out). When either a call subroutine or an interrupt is executed, the program counter will be pushed onto the stack register automatically. At the end of a call subroutine or an interrupt service subroutine, the RTN instruction must be executed to pop the contents of the stack register into the program counter. When the stack register is pushed over the eighth level, the contents of the first level will be lost. In other words, the stack register is always eight levels deep.

Program Memory (ROM)

The read-only memory (ROM) is used to store program codes; the look-up table is arranged as 2048 × 4 bits. The first three quarters of ROM (000H to 5FFH) are used to store instruction codes only, but the last quarter (600H to 7FFH) can store both instruction codes and the look-up table. Each look-up table element is composed of 4 bits, so the look-up table can be addressed up to 2048 elements. There are two registers (TABL and TABH) to be used in look-up table addressing and they are controlled by MOV TABH, R and MOV TABL, R instructions. When the instruction MOVC R is executed, the contents of the look-up table location address specified by TABH, TABL and ACC will be read and transferred to the data RAM. Refer to the instruction table for more details. The organization of the program memory is shown in Figure 1.

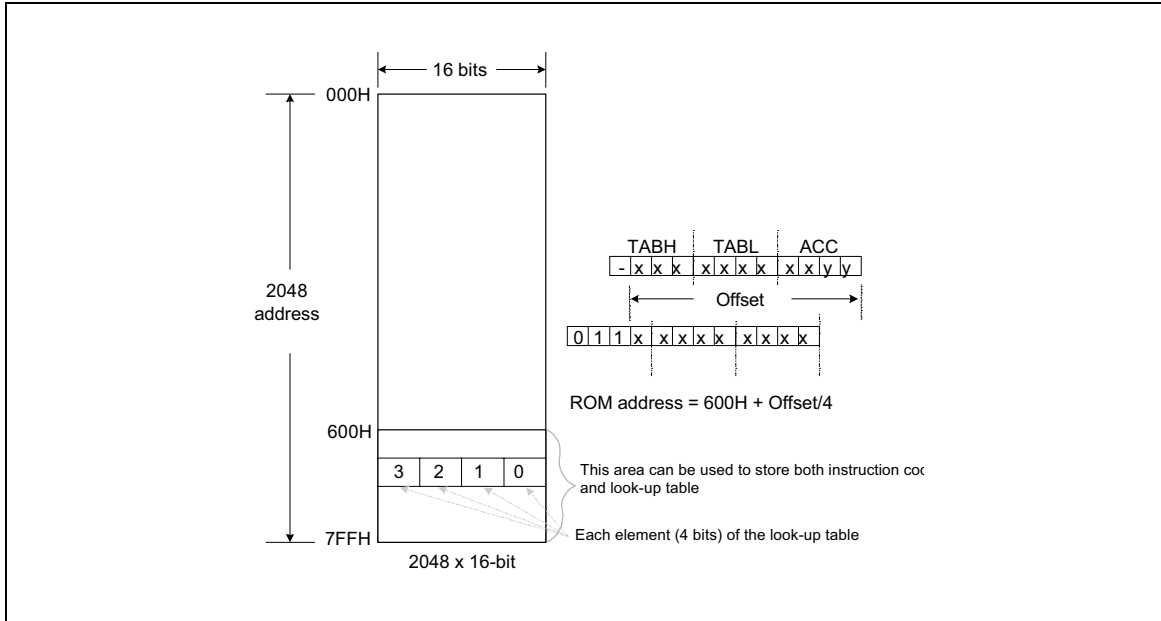


Figure 1. Program Memory Organization

Data Memory (RAM)

1. Architecture

The static data memory (RAM) used to store data is arranged as 128 x 4 bits. The data memory can be addressed directly or indirectly. The organization of the data memory is shown in Figure 2.

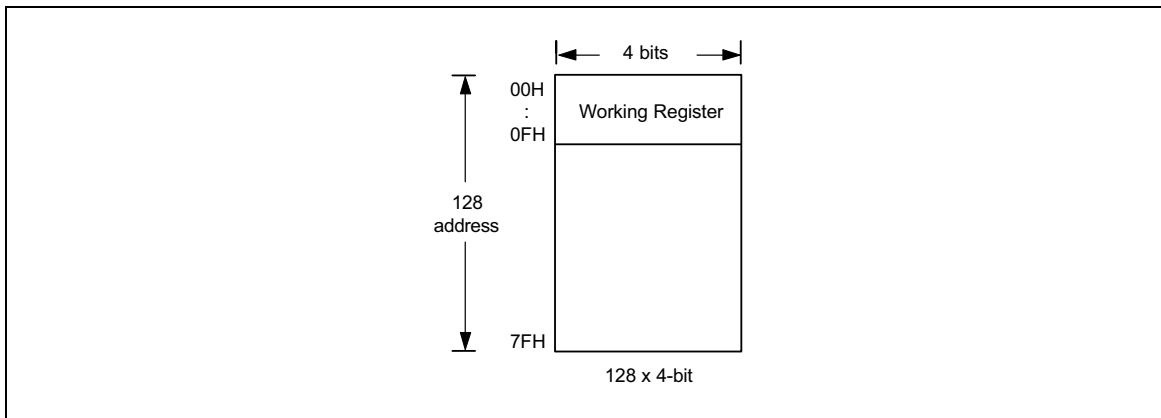


Figure 2. Data Memory Organization

The first sixteen addresses (00H to 0FH) in the data memory are known as the working registers (WR). The other data memory is used as general memory and cannot operate directly with immediate data. The relationship between data memory locations and the page register (PAGE) in indirect addressing mode is described in the next section.



2. Page Register (PAGE)

The page register is organized as a 4-bit binary register. The bit descriptions are as follows:



Note: R/W means read/write available.

Bit 3 is reserved.

Bit 2, Bit 1, Bit 0 are indirect addressing mode preselect bits:

- | | |
|------------------------|------------------------|
| 000 = Page 0 (00H–0FH) | 001 = Page 1 (10H–1FH) |
| 010 = Page 2 (20H–2FH) | 011 = Page 3 (30H–3FH) |
| 100 = Page 4 (40H–4FH) | 101 = Page 5 (50H–5FH) |
| 110 = Page 6 (60H–6FH) | 111 = Page 7 (70H–7FH) |

Accumulator (ACC)

The accumulator (ACC) is a 4-bit register used to hold results from the ALU and transfer data between the memory, I/O ports, and registers.

Arithmetic and Logic Unit (ALU)

This is a circuit which performs arithmetic and logic operations. The ALU provides the following functions:

- Logic operations: ANL, XRL, ORL
- Branch decisions: JB0, JB1, JB2, JB3, JNZ, JZ, JC, JNC, DSKZ, DSKNZ, SKB0, SKB1, SKB2, SKB3
- Shift operations: SHRC, RRC, SHLC, RLC
- Binary additions/subtractions: ADC, SBC, ADD, SUB, ADU, DEC, INC

After any of the above instructions are executed, the status of the carry flag (CF) and zero flag (ZF) is stored in the internal registers. CF can be read out by executing MOVA R, CF.

Clock Generator

The W741C250 provides a crystal or RC oscillation circuit selected by option codes to generate the system clock through external connections. If a crystal oscillator is used, a crystal or a ceramic resonator must be connected to XIN and XOUT, and the capacitor must be connected if an accurate frequency is needed. When a crystal oscillator is used, a high-frequency clock (400 KHz to 4 MHz) or low-frequency clock (32 KHz) can be selected for the system clock by means of option codes. If the RC oscillator is used, a resistor in the range of 20 K Ω to 1.6 M Ω must be connected to XIN and XOUT, as shown in Figure 3. The system clock frequency range is from 32 KHz to 4 MHz. One machine cycle consists of a four-phase system clock sequence and can run up to 1 μ S with a 4 MHz system clock.

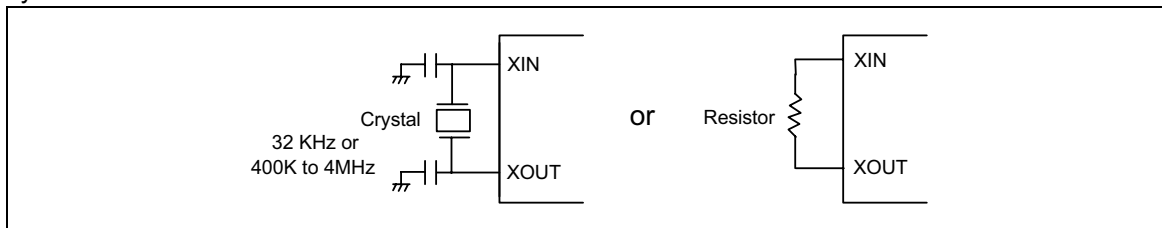


Figure 3. Oscillator Configuration



Divider 0

Divider 0 is organized as a 14-bit binary up-counter designed to generate periodic interrupts, as shown in Figure 4. When the system starts, the divider is incremented by each system clock (Fosc). When an overflow occurs, the divider event flag is set to 1 (EVF.0 = 1). Then, if the divider interrupt enable flag has been set (IEF.0 = 1), the interrupt is executed, while if the hold release enable flag has been set (HEF.0 = 1), the hold state is terminated. In addition, the 4 MSB of the divider can be reset by executing the CLR DIVR0 instruction.

Watchdog Timer (WDT)

The watchdog timer (WDT) is organized as a 4-bit up counter and is designed to protect the program from unknown errors. The WDT is enable when the corresponding option code bit of the WDT is set to 1. If the WDT overflows, the chip will be reset. At initial reset, the input clock of the WDT is Fosc/1024. The input clock of the WDT can be switched to Fosc/16384 (or Fosc/1024) by executing the SET PMF, #08H (or CLR PMF, #08H) instruction. The contents of the WDT can be reset by the instruction CLR WDT. In normal operation, the application program must reset WDT before it overflows. A WDT overflow indicates that the operation is not under control and the chip will be reset. The WDT minimum overflow period is 468.75 mS when the system clock (Fosc) is 32 KHz and WDT clock input is Fosc/1024. When the corresponding option code bit of the WDT is set to 0, the WDT function is disabled. The organization of the Divider0 and watchdog timer is shown in Figure 4.

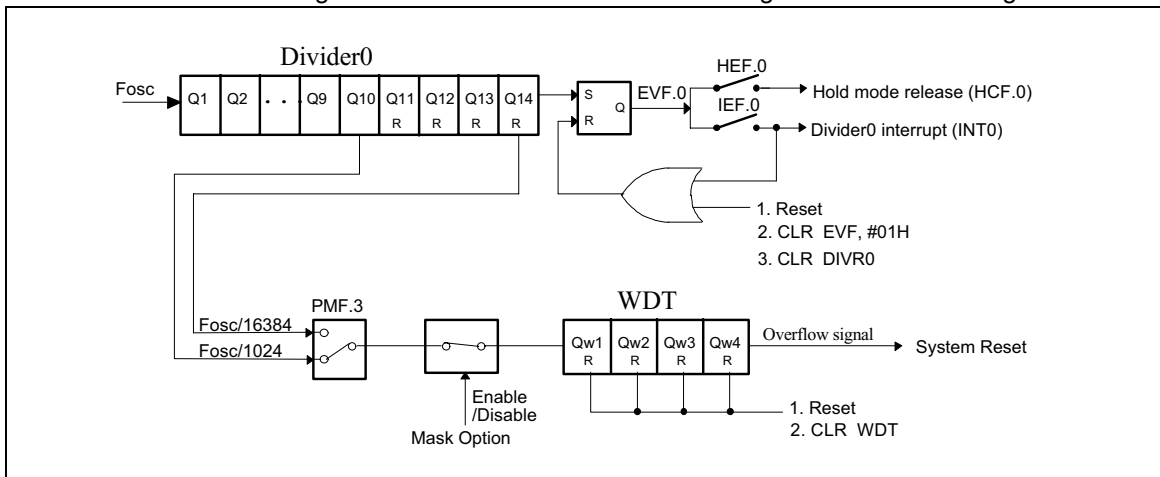


Figure 4. Organization of Divider 0 and Watchdog Timer

Timer/Counter

1. Timer 0 (TM0)

Timer 0 (TM0) is a programmable 8-bit binary down-counter. The specified value can be loaded into TM0 by executing the MOV TM0L (TM0H), R or MOV TM0, #I instructions. When the MOV TM0L (TM0H), R instructions are executed, the TM0 will stop down-counting (if the TM0 is down-counting), the MR0.3 will be reset to 0, and the specified value is loaded into TM0. If MR0.3 is set to 1, the event flag 1 (EVF.1) is reset and the TM0 starts to count. When it decrements to FFH, Timer 0 stops operating and generates an underflow (EVF.1 = 1). The interrupt is executed if the Timer 0 interrupt enable flag has been set (IEF.1 = 1); and the hold state is terminated if the hold release enable flag 1 has been set (HEF.1 = 1). The Timer 0 clock input can be set as Fosc/1024 or Fosc/4 by setting



MR0.0 to 1 or by resetting MR0.0 to 0. The default timer value is $F_{osc}/4$. The organization of Timer 0 is shown in Figure 5.

If the Timer 0 clock input is $F_{osc}/4$:

$$\text{Desired Timer 0 interval} = (\text{preset value} + 1) \times 4 \times 1/F_{osc}$$

If the Timer 0 clock input is $F_{osc}/1024$:

$$\text{Desired Timer 0 interval} = (\text{preset value} + 1) \times 1024 \times 1/F_{osc}$$

Preset value: Decimal number of Timer 0 preset value

F_{osc} : Clock oscillation frequency

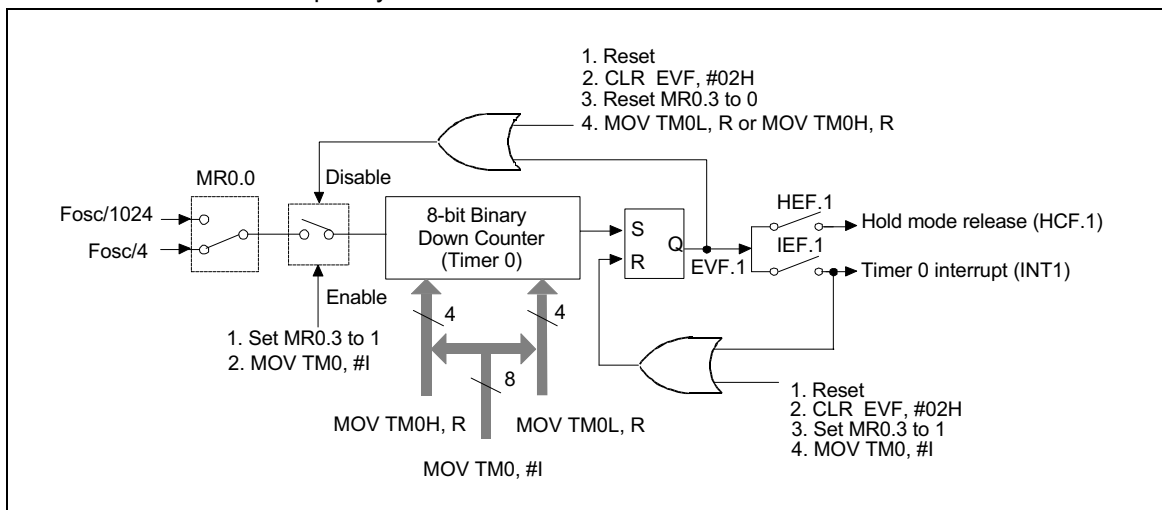


Figure 5. Organization of Timer 0

2. Timer 1 (TM1)

Timer 1 (TM1) is also a programmable 8-bit binary down counter, as shown in Figure 6. Timer 1 can be used as a counter to count external events or to output an arbitrary frequency to the MFP pin. The input clock of Timer 1 can be one of three sources: $F_{osc}/64$, F_{osc} , or an external clock from the RC.0 input pin. The source can be selected by setting bit 0 and bit 1 of mode register 1 (MR1). At initial reset, the Timer 1 clock input is F_{osc} . If an external clock is selected as the clock source of Timer 1, the content of Timer 1 is decreased by 1 at the falling edge of RC.0. When the MOV TM1L, R or MOV TM1H, R instruction is executed, the specified data are loaded into the auto-reload buffer and the TM1 down-counting will be disabled (i.e. MR1.3 is reset to 0). If the bit 3 of MR1 is set (MR1.3 = 1), the contents of the auto-reload buffer will be loaded into the TM1 down counter, Timer 1 starts to down count, and the event flag 7 is reset (EVF.7 = 0). When the MOV TM1, #I instruction is executed, the event flag 7 (EVF.7) and MR1.3 are reset and the specified value is loaded into auto-reload buffer and TM1 by the internal hardware, then the MR1.3 is set, that is the TM1 starts to count by the hardware. When the timer decrements to FFH, it will generate an underflow (EVF.7 = 1) and be auto-reloaded with the specified data, after which it will continue to count down. An interrupt is executed if the interrupt enable flag 7 has been set to 1 (IEF.7 = 1), and the hold state is terminated if the hold mode release enable flag 7 is set to 1 (HEF.7 = 1). The specified frequency of Timer 1 can be delivered to the MFP output pin by programming bit 2 of MR1. Bit 3 of MR1 can be used to make Timer 1 stop or start counting.



If the Timer 1 clock input is FT, then:

Desired Timer 1 interval = (preset value + 1)/F_T

Desired frequency for MFP output pin = F_T ÷ (preset value + 1) ÷ 2 (Hz)

Preset value: Decimal number of Timer 1 preset value, and

F_{osc}: Clock oscillation frequency

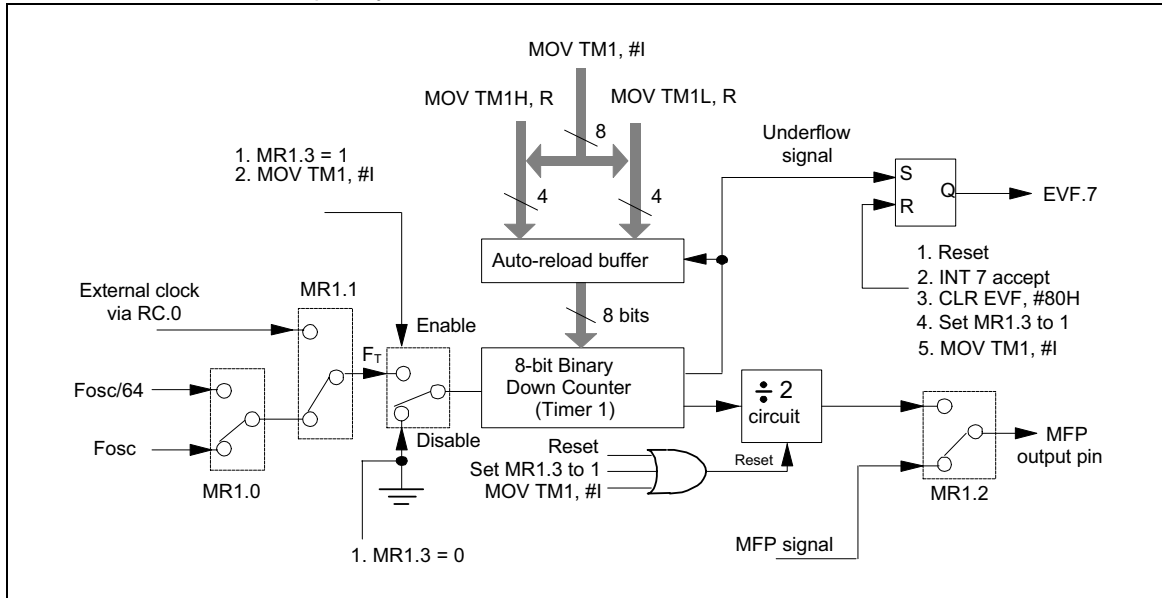


Figure 6. Organization of Timer 1

For example, when F_T equals 32768 Hz, depending on the preset value of TM1, the MFP pin will output a single tone signal in the tone frequency range from 64 Hz to 16384 Hz. The relation between the tone frequency and the preset value of TM1 is shown in the table below.

		3		4		5	
		Tone frequency	TM1 preset value & MFP frequency	Tone frequency	TM1 preset value & MFP frequency	Tone frequency	TM1 preset value & MFP frequency
T	C	130.81	7CH 131.07	261.63	3EH 260.06	523.25	1EH 528.51
	C#	138.59	75H 138.84	277.18	3AH 277.69	554.37	1CH 564.96
	D	146.83	6FH 146.28	293.66	37H 292.57	587.33	1BH 585.14
	D#	155.56	68H 156.03	311.13	34H 309.13	622.25	19H 630.15
O	E	164.81	62H 165.49	329.63	31H 327.68	659.26	18H 655.36
	F	174.61	5DH 174.30	349.23	2EH 372.36	698.46	16H 712.34
N	F#	185.00	58H 184.09	369.99	2BH 390.09	739.99	15H 744.72
	G	196.00	53H 195.04	392.00	29H 420.10	783.99	14H 780.19
E	G#	207.65	4EH 207.39	415.30	26H 443.81	830.61	13H 819.20
	A	220.00	49H 221.40	440.00	24H 442.81	880.00	12H 862.84
	A#	233.08	45H 234.05	466.16	22H 468.11	932.23	11H 910.22
	B	246.94	41H 248.24	493.88	20H 496.48	987.77	10H 963.76

Note: Central tone is A4 (440 Hz).



Mode Register 0 (MR0)

Mode Register 0 is organized as a 4-bit binary register (MR0.0 to MR0.3). MR0 can be used to control the operation of Timer 0. The bit descriptions are as follows:

	3	2	1	0
MR0	W	—	—	W

Note: W means write only.

- Bit 0 = 0 The internal fundamental frequency of Timer 0 is $F_{osc}/4$.
- = 1 The internal fundamental frequency of Timer 0 is $F_{osc}/1024$.
- Bit 1 Reserved
- Bit 2 Reserved
- Bit 3 = 0 Timer 0 stops down-counting.
- = 1 Timer 0 starts down-counting.

Mode Register 1 (MR1)

Mode Register 1 is organized as a 4-bit binary register (MR1.0 to MR1.3). MR1 can be used to control the operation of Timer 1. The bit descriptions are as follows:

	3	2	1	0
MR1	W	W	W	W

Note: W means write only.

- Bit 0 = 0 The internal fundamental frequency of Timer 1 is F_{osc} .
- = 1 The internal fundamental frequency of Timer 1 is $F_{osc}/64$.
- Bit 1 = 0 The fundamental frequency source of Timer 1 is the internal clock.
- = 1 The fundamental frequency source of Timer 1 is the external clock from RC.0 input pin.
- Bit 2 = 0 The specified waveform of the MFP generator is delivered at the MFP output pin.
- = 1 The specified frequency of Timer 1 is delivered at the MFP output pin.
- Bit 3 = 0 Timer 1 stops down-counting.
- = 1 Timer 1 starts down-counting.

Interrupts

The W741C250 provides three internal interrupt sources (Divider 0, Timer 0, Timer 1) and two external interrupt sources (\overline{INT} , port RC). Vector addresses for each of the interrupts are located in the range of program memory (ROM) addresses 004H to 020H. The flags IEF, PEF, and EVF are used to control the interrupts. When EVF is set to "1" by hardware and the corresponding bits of IEF and PEF have been set by software, an interrupt is generated. When an interrupt occurs, all of the



interrupts are inhibited until the EN INT or MOV IEF, #I instruction is invoked. The interrupts can also be disabled by executing the DIS INT instruction. When an interrupt is generated in hold mode, the hold mode will be released momentarily and the interrupt subroutine will be executed. After the RTN instruction is executed in an interrupt subroutine, the μC will enter hold mode again. The operation flow chart is shown in Figure 8. The control diagram is shown below.

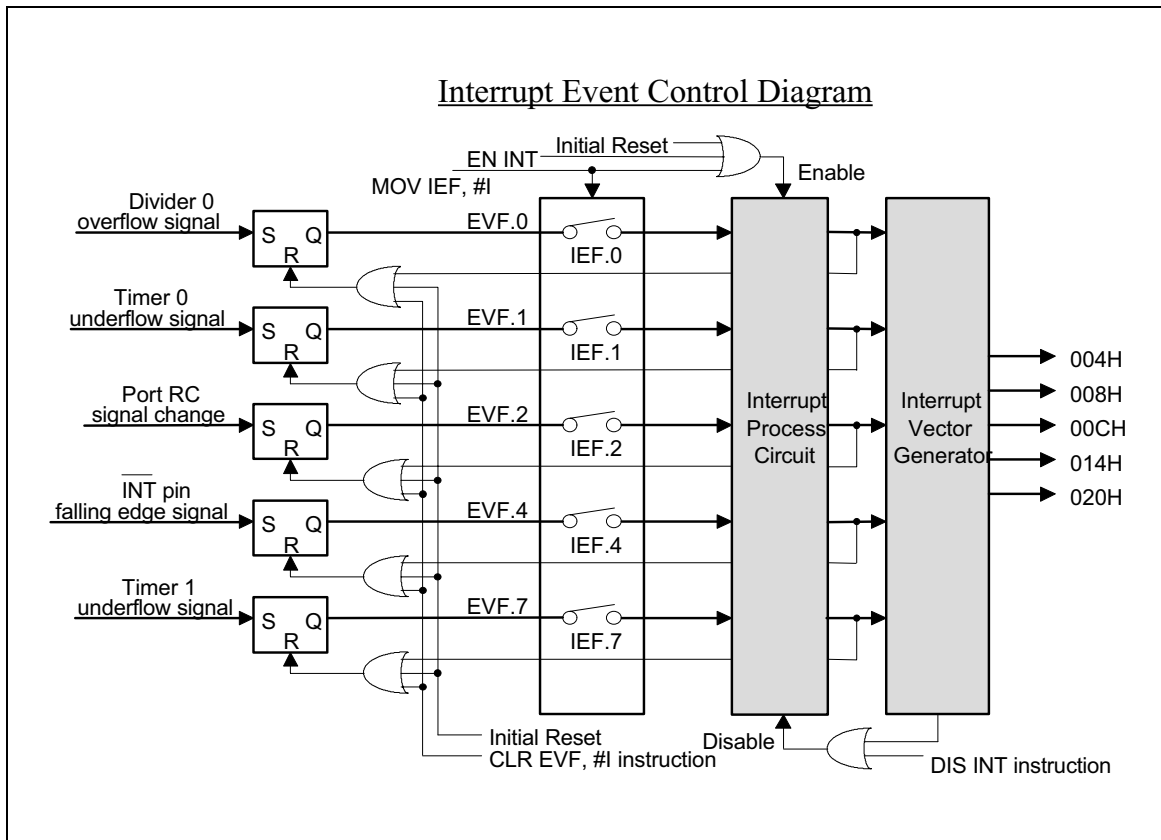


Figure 7. Interrupt Event Control Diagram

Stop Mode Operation

In stop mode, all operations of the μC cease (including the operation of the oscillator). The μC enters stop mode when the STOP instruction is executed and exits stop mode when an external trigger is activated (by a low level on the $\overline{\text{INT}}$ pin or a falling signal on the RC port). When the designated signal is accepted, the μC awakens and executes the next instruction (if the corresponding bits of IEF and PEF have been set, It will enter the interrupt service routine after stop mode released). To prevent erroneous execution, the NOP instruction should follow the STOP command.

Hold Mode Operation

In hold mode, all operations of the μC cease, except for the operation of the oscillator, timer, and LCD driver. The μC enters hold mode when the HOLD instruction is executed. The hold mode can be released in one of five ways: by the action of Timer 0, Timer 1, Divider 0, the $\overline{\text{INT}}$ pin, or the RC port.



Before the device enters the hold mode, the HEF, PEF, and IEF flags must be set to define the hold mode release conditions. For more details, refer to the instruction-set table and the following flow chart.

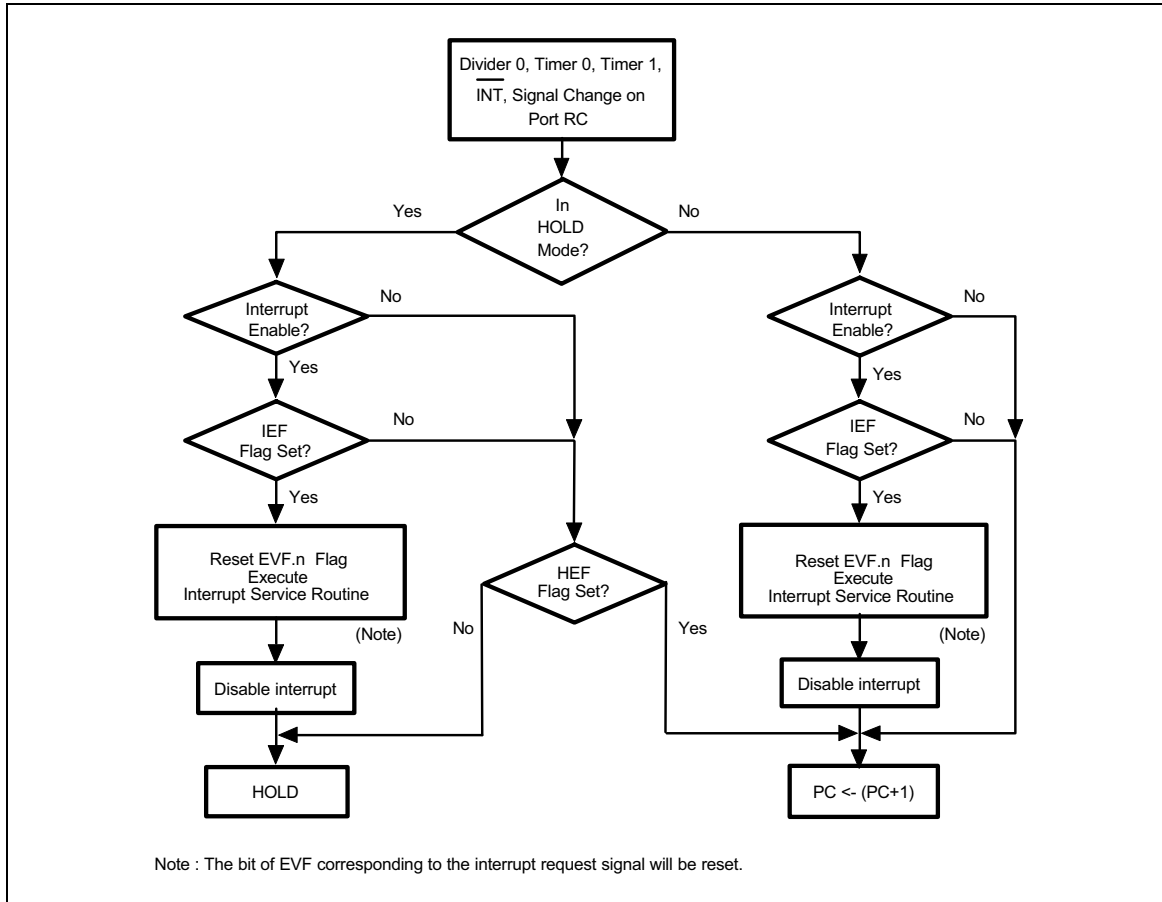


Figure 8. Hold Mode and Interrupt Operation Flow Chart

Hold Mode Release Enable Flag (HEF)

The hold mode release enable flag is organized as an 8-bit binary register (HEF.0 to HEF.7). The HEF is used to control the hold mode release conditions. It is controlled by the MOV HEF, # instruction. The bit descriptions are as follows:

	7	6	5	4	3	2	1	0
HEF	w	-	-	w	-	w	w	w

Note: W means write only.

- HEF.0 = 1 Overflow from Divider 0 causes hold mode to be released.
- HEF.1 = 1 Underflow from Timer 0 causes hold mode to be released.
- HEF.2 = 1 Signal change at port RC causes hold mode to be released.



HEF.3 Reserved

HEF.4 = 1 Falling edge signal at the $\overline{\text{INT}}$ pin causes hold mode to be released.

HEF.5 & HEF.6 are reserved.

HEF.7 = 1 Underflow from Timer 1 causes hold mode to be released.

Interrupt Enable Flag (IEF)

The interrupt enable flag is organized as an 8-bit binary register (IEF.0 to IEF.7). These bits are used to control the interrupt conditions. It is controlled by the MOV IEF, #I instruction. When one of these interrupts is accepted, the corresponding bit of the event flag will be reset, but the other bits are unaffected. In interrupt subroutine, these interrupts will be disabled till the instruction MOV IEF, #I or EN INT is executed again. Besides, these interrupts can be disabled by executing DIS INT instruction. The bit descriptions are as follows:

	7	6	5	4	3	2	1	0
IEF	w	-	-	w	-	w	w	w

Note: W means write only.

IEF.0 = 1 Interrupt 0 is accepted by overflow from Divider 0.

IEF.1 = 1 Interrupt 1 is accepted by underflow from Timer 0.

IEF.2 = 1 Interrupt 2 is accepted by a signal change on port RC.

IEF.3 Reserved

IEF.4 = 1 Interrupt 4 is accepted by a falling edge signal on the $\overline{\text{INT}}$ pin.

IEF.5 & IEF.6 are reserved.

IEF.7 = 1 Interrupt 7 is accepted by underflow from Timer 1.

Port Enable Flag (PEF)

The port enable flag is organized as a 4-bit binary register (PEF.0 to PEF.3). Before port RC may be used to release the hold mode or perform an interrupt function, the content of the PEF must be set first. The PEF is controlled by the MOV PEF, #I instruction. The bit descriptions are as follows:

	3	2	1	0
PEF	w	w	w	w

Note: W means write only.

PEF.0: Enable/disable the signal change on pin RC.0 to release hold mode or perform interrupt.

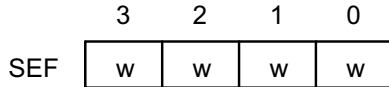
PEF.1: Enable/disable the signal change on pin RC.1 to release hold mode or perform interrupt.

PEF.2: Enable/disable the signal change on pin RC.2 to release hold mode or perform interrupt.

PEF.3: Enable/disable the signal change on pin RC.3 to release hold mode or perform interrupt.

Stop Mode Wake-up Enable Flag for Port RC (SEF)

The stop mode wake-up flag for port RC is organized as a 4-bit binary register (SEF.0 to SEF.3). Before port RC may be used to make the device exit the stop mode, the content of the SEF must be set first. The SEF is controlled by the MOV SEF, #I instruction. The bit descriptions are as follows:

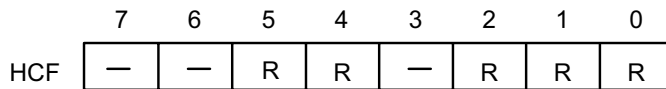


Note: W means write only.

- SEF 0 = 1 Device will exit stop mode when falling edge signal is applied to pin RC.0.
- SEF 1 = 1 Device will exit stop mode when falling edge signal is applied to pin RC.1.
- SEF 2 = 1 Device will exit stop mode when falling edge signal is applied to pin RC.2.
- SEF 3 = 1 Device will exit stop mode when falling edge signal is applied to pin RC.3.

Hold Mode Release Condition Flag (HCF)

The hold mode release condition flag is organized as an 8-bit binary register (HCF0 to HCF7). It indicates by which interrupt source the hold mode has been released, and it is loaded by hardware. The HCF can be read out by the MOVA R, HCFL and MOVA R, HCFH instructions. When any of the HCF bits is "1," the hold mode will be released and the HOLD instruction is invalid. The HCF can be reset by the CLR EVF, #I (EVF.n = 0) or MOV HEF, #I (HEF.n = 0) instructions. When EVF or HEF has been reset, the corresponding bit of HCF is reset simultaneously. The bit descriptions are as follows:

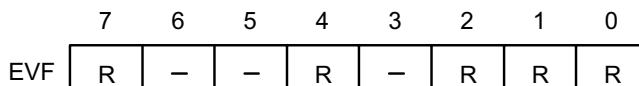


Note: R means read only.

- HCF.0 = 1 Hold mode was released by overflow from Divider 0.
- HCF.1 = 1 Hold mode was released by underflow from Timer 0.
- HCF.2 = 1 Hold mode was released by a signal change on port RC.
- HCF.3 Reservsd
- HCF.4 = 1 Hold mode was released by a falling edge signal on the $\overline{\text{INT}}$ pin.
- HCF.5 = 1 Hold mode was released by underflow from Timer 1.
- HCF.6 & HCF.7 are reserved.

Event Flag (EVF)

The event flag is organized as a 8-bit binary register (EVF0 to EVF7). It is set by hardware and reset by the CLR EVF, #I instruction or the occurrence of an interrupt. The bit descriptions are as follows:



Note: R means read only.

- EVF.0 = 1 Overflow from Divider 0 occurred.
- EVF.1 = 1 Underflow from Timer 0 occurred.
- EVF.2 = 1 Signal change on port RC occurred.



EVF.3 Reserved

EVF.4 = 1 Falling edge signal on the $\overline{\text{INT}}$ pin occurred.

EVF.5 & EVF.6 are reserved.

EVF.7 = 1 Underflow from Timer 1 occurred.

Parameter Flag (PMF)

The parameter flag is organized as a 4-bit binary register (PMF.0 to PMF.3). The PMF is controlled by the SET PMF, #I or CLR PMF, #I instruction. The bit descriptions are as follows:

	3	2	1	0
PMF	W	-	-	-

Note: W means write only.

Bit 0, Bit1, Bit2 Reserved

Bit 3 = 0 The fundamental frequency of the watchdog timer is $F_{osc}/1024$.

= 1 The fundamental frequency of the watchdog timer is $F_{osc}/16384$.

Port Mode 0 Register (PM0)

The port mode 0 register is organized as a 4-bit binary register (PM0.0 to PM0.3). PM0 can be used to determine the structure of the input/output ports; it is controlled by the MOV PM0, #I instruction. The bit descriptions are as follows:

	3	2	1	0
PM0	w	w	w	w

Note: W means write only.

Bit 0 = 0 RA port is CMOS output type.

Bit 0 = 1 RA port is NMOS open drain output type.

Bit 1 = 0 RB port is CMOS output type.

Bit 1 = 1 RB port is NMOS open drain output type.

Bit 2 = 0 RC port pull-high resistor is disabled.

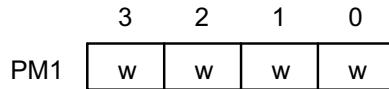
Bit 2 = 1 RC port pull-high resistor is enabled.

Bit 3 = 0 RD port pull-high resistor is disabled.

Bit 3 = 1 RD port pull-high resistor is enabled.

Port Mode 1 Register (PM1)

The port mode 1 register is organized as a 4-bit binary register (PM1.0 to PM1.3). PM1 can be used to control the input/output mode of port RA. PM1 is controlled by the MOV PM1, #I instruction. The bit descriptions are as follows:



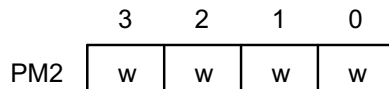
Note: W means write only.

- | | |
|-------------------------------------|------------------------------------|
| Bit 0 = 0 RA.0 works as output pin. | Bit 0 = 1 RA.0 works as input pin. |
| Bit 1 = 0 RA.1 works as output pin. | Bit 1 = 1 RA.1 works as input pin. |
| Bit 2 = 0 RA.2 works as output pin. | Bit 2 = 1 RA.2 works as input pin. |
| Bit 3 = 0 RA.3 works as output pin. | Bit 3 = 1 RA.3 works as input pin. |

After initial reset, port RA is in input mode (PM1 = 1111B).

Port Mode 2 Register (PM2)

The port mode 2 register is organized as a 4-bit binary register (PM2.0 to PM2.3). PM2 can be used to control the input/output mode of port RB. PM2 is controlled by the MOV PM2, #I instruction. The bit descriptions are as follows:



Note: W means write only.

- | | |
|-------------------------------------|------------------------------------|
| Bit 0 = 0 RB.0 works as output pin. | Bit 0 = 1 RB.0 works as input pin. |
| Bit 1 = 0 RB.1 works as output pin. | Bit 1 = 1 RB.1 works as input pin. |
| Bit 2 = 0 RB.2 works as output pin. | Bit 2 = 1 RB.2 works as input pin. |
| Bit 3 = 0 RB.3 works as output pin. | Bit 3 = 1 RB.3 works as input pin. |

After initial reset, port RB is in input mode (PM2 = 1111B).

Reset Function

The W741C250 is reset either by a power-on reset or by using the external $\overline{\text{RES}}$ pin. The initial state of the W741C250 after the reset function is executed is described below.

Program Counter (PC)	000H
TM0, TM1	Reset
MR0, MR1, PM0, PAGE, PMF registers	Reset
PM1, PM2 registers	Set (1111B)
PSR0 register	Reset
IEF, HEF, HCF, PEF, EVF, SEF flags	Reset
Timer 0 input clock	$F_{osc}/4$
Timer 1 input clock	F_{osc}
MFP output	Low
Input/output ports RA, RB	Input mode



Reset Function, continued

Output port RE	High
RA & RB ports output type	CMOS type
RC & RD ports pull-high resistors	Disabled
Input clock of the watchdog timer	Fosc/1024
LCD display	OFF
Segment output mode	LCD drive output

External INT

The external interrupt $\overline{\text{INT}}$ pin contains a pull-up resistor. When the HEF.4 or IEF.4 flag is set, the falling edge of the $\overline{\text{INT}}$ pin will execute the hold mode release or interrupt subroutine. A low level on the $\overline{\text{INT}}$ pin will release the stop mode.

Input/Output Ports RA, RB

Port RA consists of pins RA.0 to RA.3 and port RB consists of pins RB.0 to RB.3. After initial reset, input/output ports RA and RB are both in input mode. When RA and RB are used as output ports, CMOS or NMOS open drain output type can be selected by the PM0 register. Each pin of port RA or RB can be specified as input or output mode independently by the PM1 and PM2 registers. The MOVA R, RA or MOVA R, RB instructions operate the input functions and the MOV RA, R or MOV RB, R operate the output functions. For more details, refer to the instruction table and Figure 9.

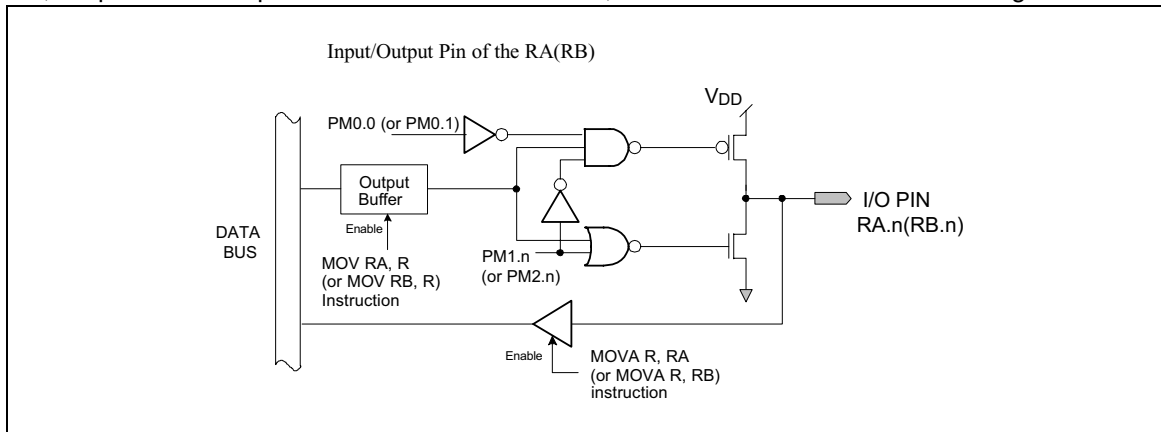


Figure 9. Architecture of Input/Output Pins

Input Ports RC, RD

Port RC consists of pins RC.0 to RC.3, and port RD consists of pins RD.0 to RD.3. Each pin of port RC and port RD can be connected to a pull-up resistor, which is controlled by the port mode 0 register (PM0). When the PEF, HEF, and IEF corresponding to the RC port are set, a signal change on the specified pins of port RC will execute the hold mode release or interrupt subroutine. Port status register 0 (PSR0) records the status of ports RC, i.e., any signal changes on the pins that make up the port. PSR0 can be read out and cleared by the MOV R, PSR0, and CLR PSR0 instructions. In addition, the falling edge signal on the pin of port RC specified by the instruction MOV SEF, #I will



cause the device to exit the stop mode. Refer to Figure 10 and the instruction table for more details. The RD port is used as input port only, it has no hold mode release, wake-up stop mode or interrupt functions.

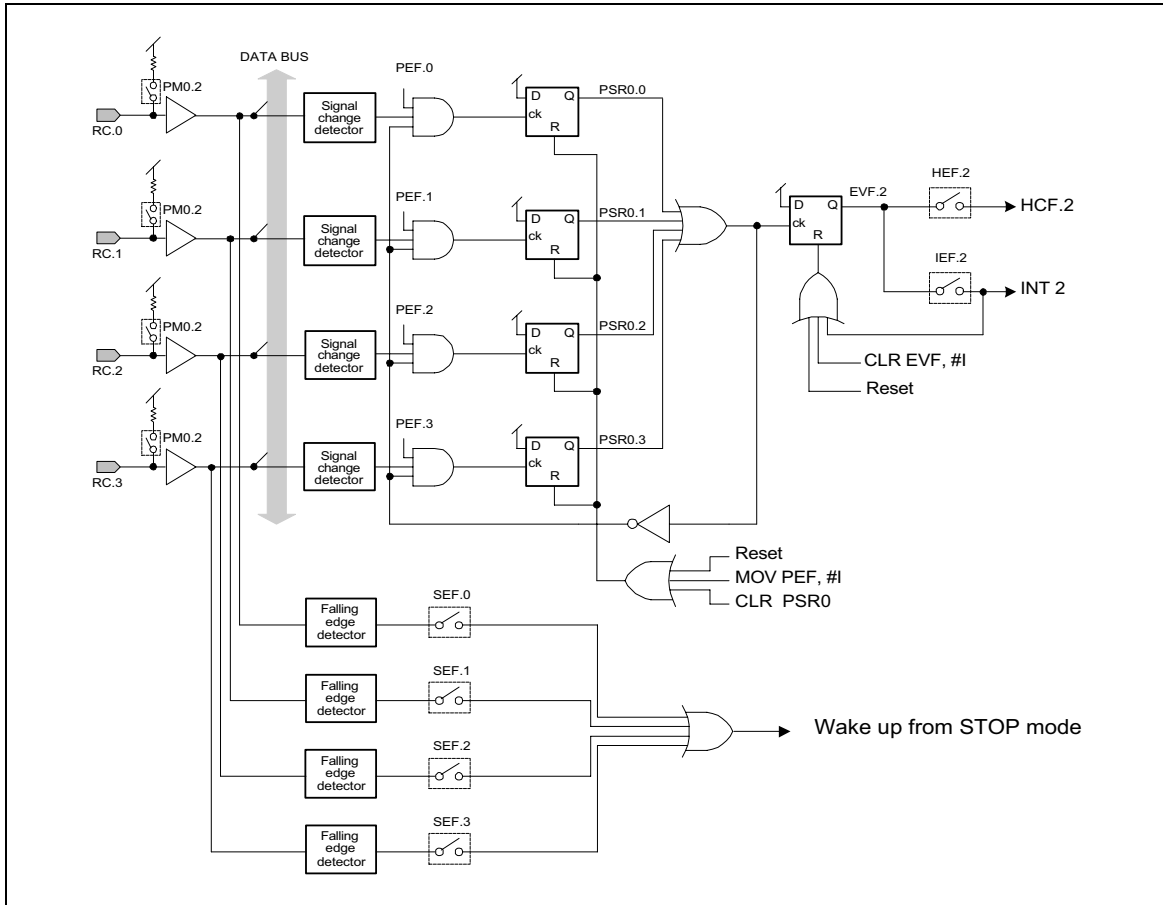


Figure 10. Architecture of Input Ports RC

Output Port RE

When the MOV RE, R instruction is executed, the data in the RAM will be output to port RE. Port RE (RE.0 to RE.3) also provides high sink current output to drive LEDs.

Port Status Register 0 (PSR0)

Port status register 0 is organized as a 4-bit binary register (PSR0.0 to PSR0.3). PSR0 can be read or cleared by the MOVA R, PSR0, and CLR PSR0 instructions. The bit descriptions are as follows:

	3	2	1	0
PSR0	R	R	R	R

Note: R means read only.



- Bit 0 = 1 Signal change on RC.0.
- Bit 1 = 1 Signal change on RC.1.
- Bit 2 = 1 Signal change on RC.2.
- Bit 3 = 1 Signal change on RC.3.

MFP Output Pin (MFP)

The MFP output pin can output the Timer 1 clock or the modulation frequency; the output of the pin is determined by mode register 1 (MR1). The organization of MR1 is shown in Figure 6. When bit 2 of MR1 is reset to "0," the MFP output can deliver a modulation output in any combination of one signal from among DC, 4096 Hz, 2048 Hz, and one or more signals from among 128 Hz, 64 Hz, 8 Hz, 4 Hz, 2 Hz, or 1 Hz (when using a 32.768 KHz system clock). The MOV MFP, #I instruction is used to specify the modulation output combination. The data specified by the 8-bit operand and the MFP output pin are shown as below:

(Fosc = 32.768 KHz)

R7 R6	R5	R4	R3	R2	R1	R0	FUNCTION
0 0	0	0	0	0	0	0	Low level
	0	0	0	0	0	1	128 Hz
	0	0	0	0	1	0	64 Hz
	0	0	0	1	0	0	8 Hz
	0	0	1	0	0	0	4 Hz
	0	1	0	0	0	0	2 Hz
	1	0	0	0	0	0	1 Hz
0 1	0	0	0	0	0	0	High level
	0	0	0	0	0	1	128 Hz
	0	0	0	0	1	0	64 Hz
	0	0	0	1	0	0	8 Hz
	0	0	1	0	0	0	4 Hz
	0	1	0	0	0	0	2 Hz
	1	0	0	0	0	0	1 Hz
1 0	0	0	0	0	0	0	2048 Hz
	0	0	0	0	0	1	2048 Hz * 128 Hz
	0	0	0	0	1	0	2048 Hz * 64 Hz
	0	0	0	1	0	0	2048 Hz * 8 Hz
	0	0	1	0	0	0	2048 Hz * 4 Hz
	0	1	0	0	0	0	2048 Hz * 2 Hz
	1	0	0	0	0	0	2048 Hz * 1 Hz



(MFP output table, continued)

1 1	0	0	0	0	0	0	4096 Hz
	0	0	0	0	0	1	4096 Hz * 128 Hz
	0	0	0	0	1	0	4096 Hz * 64 Hz
	0	0	0	1	0	0	4096 Hz * 8 Hz
	0	0	1	0	0	0	4096 Hz * 4 Hz
	0	1	0	0	0	0	4096 Hz * 2 Hz
	1	0	0	0	0	0	4096 Hz * 1 Hz

LCD Controller/Driver

The W741C250 can directly drive an LCD with 24 segment output pins and 4 common output pins for a total of 24×4 dots. Option codes can be used to select one of five options for the LCD driving mode: static, 1/2 bias 1/2 duty, 1/2 bias 1/3 duty, 1/3 bias 1/3 duty, or 1/3 bias 1/4 duty (see Figure 12). The alternating frequency of the LCD can be set as $F_w/64$, $F_w/128$, $F_w/256$, or $F_w/512$. In addition, option codes can also be used to set up four of the LCD driver output pins (segment 0 to segment 23) as a DC output port. The structure of the LCD alternating frequency (FLCD) is shown in the figure below.

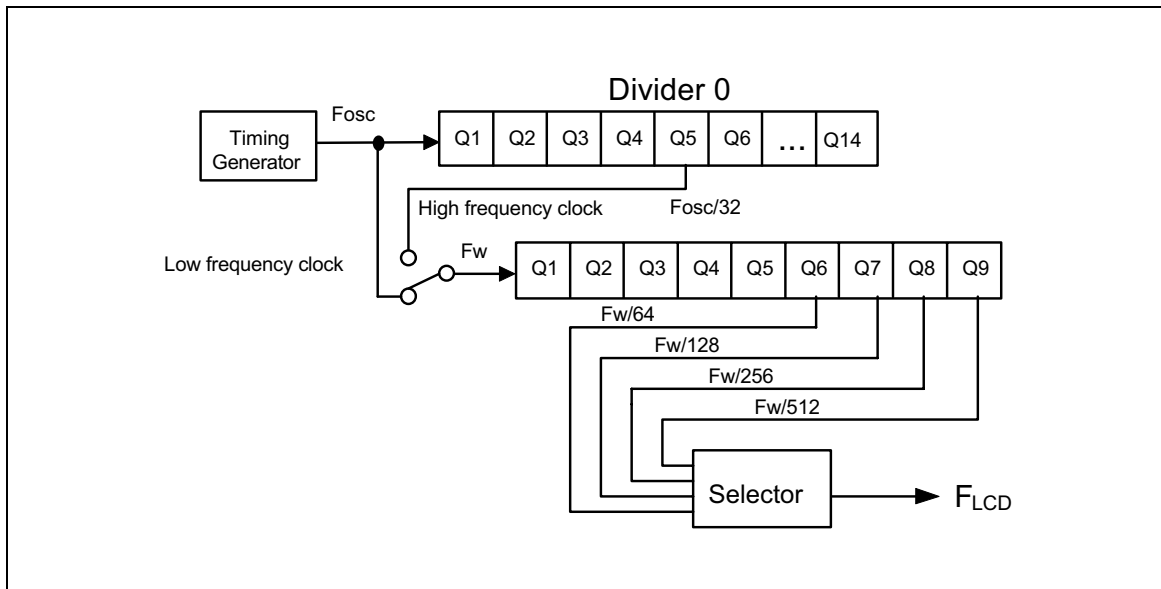


Figure 11. LCD Alternating Frequency (FLCD) Circuit Diagram

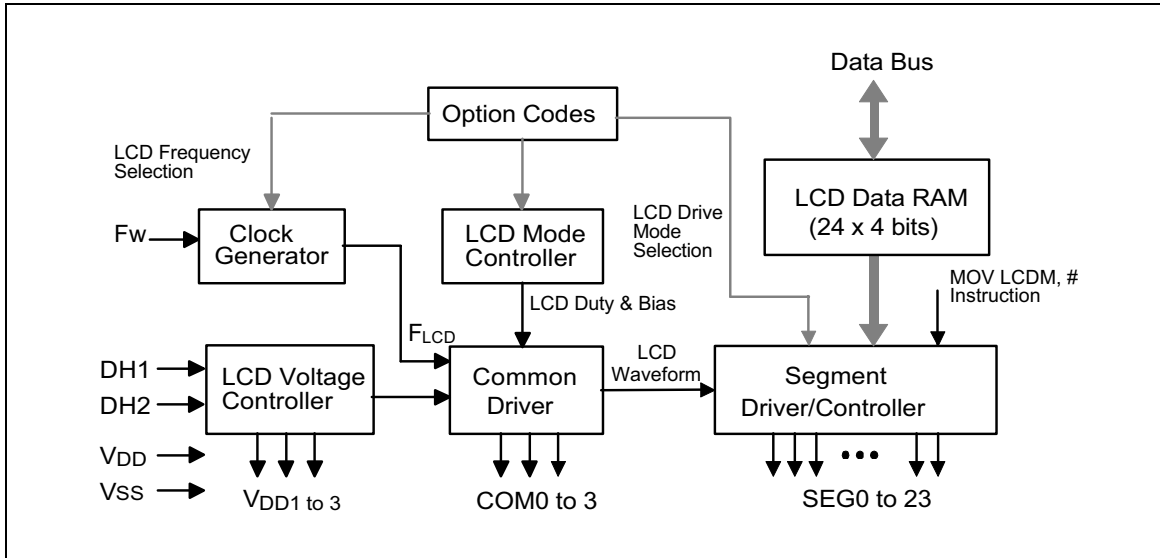


Figure 12. LCD Driver/Controller Circuit Diagram

When Fw = 32.768 KHz, the LCD frequency is as shown in the table below.

LCD FREQUENCY	STATIC	1/2 DUTY	1/3 DUTY	1/4 DUTY
Fw/512 (64 Hz)	64	32	21	16
Fw/256 (128 Hz)	128	64	43	32
Fw/128 (256 Hz)	256	128	85	64
Fw/64 (512 Hz)	512	256	171	128

Corresponding to the 24 LCD drive output pins, there are 24 LCD data RAM segments (LCDR00 to LCDR17). Instructions such as MOV LCDR, #; MOV WR, LCDR; MOV LCDR, WR; and MOV LCDR, ACC are used to control the LCD data RAM. The data in the LCD data RAM are transferred to the segment output pins automatically without program control. When the bit value of the LCD data RAM is "1," the LCD is turned on. When the bit value of the LCD data RAM is "0," the LCD is turned off. The contents of the LCD data RAM (LCDR) are sent out through the segment 0 to segment 23 pins by a direct memory access. The relationship between the LCD data RAM and segment/common pins is shown below.

		COM3	COM2	COM1	COM0
LCD data RAM	Output pin	bit 3	bit 2	bit 1	bit 0
LCDR00	SEG0	0/1	0/1	0/1	0/1
LCDR01	SEG1	0/1	0/1	0/1	0/1
.
.
LCDR16	SEG22	0/1	0/1	0/1	0/1
LCDR17	SEG23	0/1	0/1	0/1	0/1



The LCDON instruction turns the LCD display on (even in HOLD mode), and the LCDOFF instruction turns the LCD display off. At initial reset, all the LCD segments are lit. When the initial reset state ends, the LCD display is turned off automatically. To turn on the LCD display, the instruction LCDON must be executed. When the drive output pins are used as DC output ports (set by option codes, please refer the user's manual of ASM741S assembler for more detail), CMOS output type or NMOS output type can be selected by executing the instruction MOV LCDM, #I. The relation between the LCD data RAM and segment/common pins is shown below. The data in LCDR00 are transferred to the corresponding segment output port (SEG3 to SEG0) by a direct memory access. The other LCD data RAM segments can be used as normal data RAM to store data.

LCD DATA RAM	OUTPUT PIN	BIT 3	BIT 2	BIT 1	BIT 0
LCDR00	SEG3–SEG0	SEG3	SEG2	SEG1	SEG0
LCDR03–LCDR01	-	-	-	-	-
LCDR04	SEG7–SEG4	SEG7	SEG6	SEG5	SEG4
LCDR07–LCDR05	-	-	-	-	-
⋮	⋮	⋮	⋮	⋮	⋮
LCDR14	SEG23–SEG20	SEG23	SEG22	SEG21	SEG20
LCDR17–LCDR15	-	-	-	-	-

The relationship between the LCD drive mode and the maximum number of drivable LCD segments is shown below.

LCD DRIVE MODE	MAX. NUMBER OF DRIVABLE LCD SEGMENTS	CONNECTION AT POWER INPUT
Static	24 (COM1)	Connect VDD3, VDD2 to VDD1
1/2 bias 1/2 duty	48 (COM1–COM2)	Connect VDD3 to VDD2
1/2 bias 1/3 duty	72 (COM1–COM3)	Connect VDD3 to VDD2
1/3 bias 1/3 duty	72 (COM1–COM3)	-
1/3 bias 1/4 duty	96 (COM1–COM4)	-

LCD Output Mode Type Flag (LCDM)

The LCD output mode type flag is organized as a 6-bit binary register (LCDM.0 to LCDM.5). These bits are used to control the LCD output pin architecture. When the LCD output pins are set to DC output mode by option codes, the architecture of these output pins (segment 0 to segment 23) can be selected as CMOS or NMOS type by the MOV LCDM, #I instruction. The bit descriptions are as follows:

	5	4	3	2	1	0
LCDM	w	w	w	w	w	w

Note: W means write only.

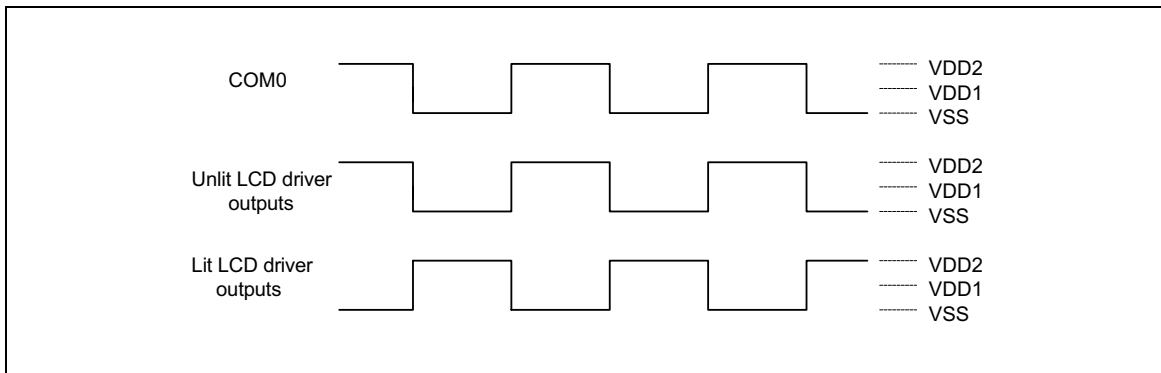


- LCDM.0 = 0 SEG0 to SEG3 work as CMOS output type.
= 1 SEG0 to SEG3 work as NMOS output type.
- LCDM.1 = 0 SEG4 to SEG7 work as CMOS output type.
= 1 SEG4 to SEG7 work as NMOS output type.
- LCDM.2 = 0 SEG8 to SEG11 work as CMOS output type.
= 1 SEG8 to SEG11 work as NMOS output type.
- LCDM.3 = 0 SEG12 to SEG15 work as CMOS output type.
= 1 SEG12 to SEG15 work as NMOS output type.
- LCDM.4 = 0 SEG16 to SEG19 work as CMOS output type.
= 1 SEG16 to SEG19 work as NMOS output type.
- LCDM.5 = 0 SEG20 to SEG23 work as CMOS output type.
= 1 SEG20 to SEG23 work as NMOS output type.

The output waveforms for the five LCD driving modes are shown below.

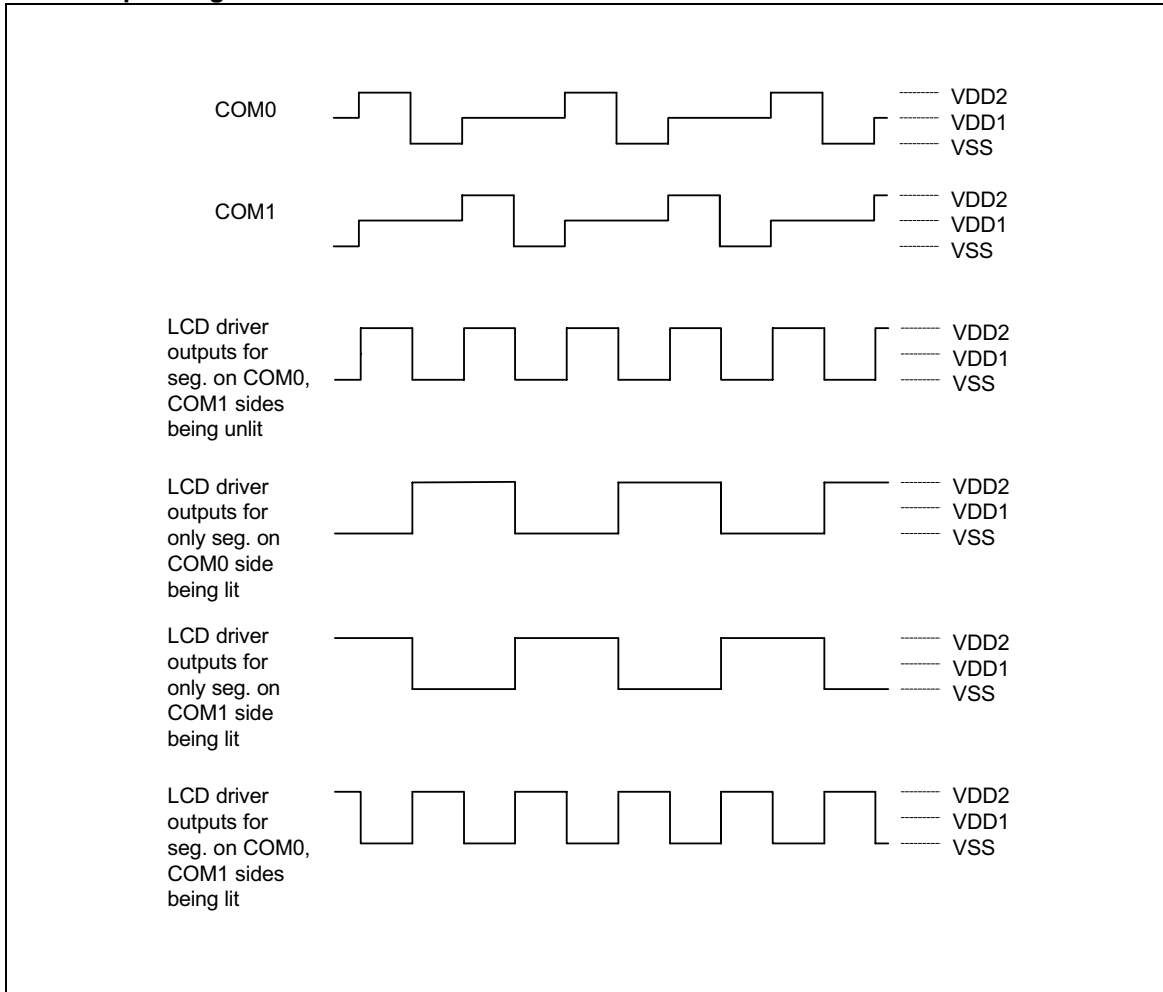
Static Lighting System (Example)

Normal Operating Mode



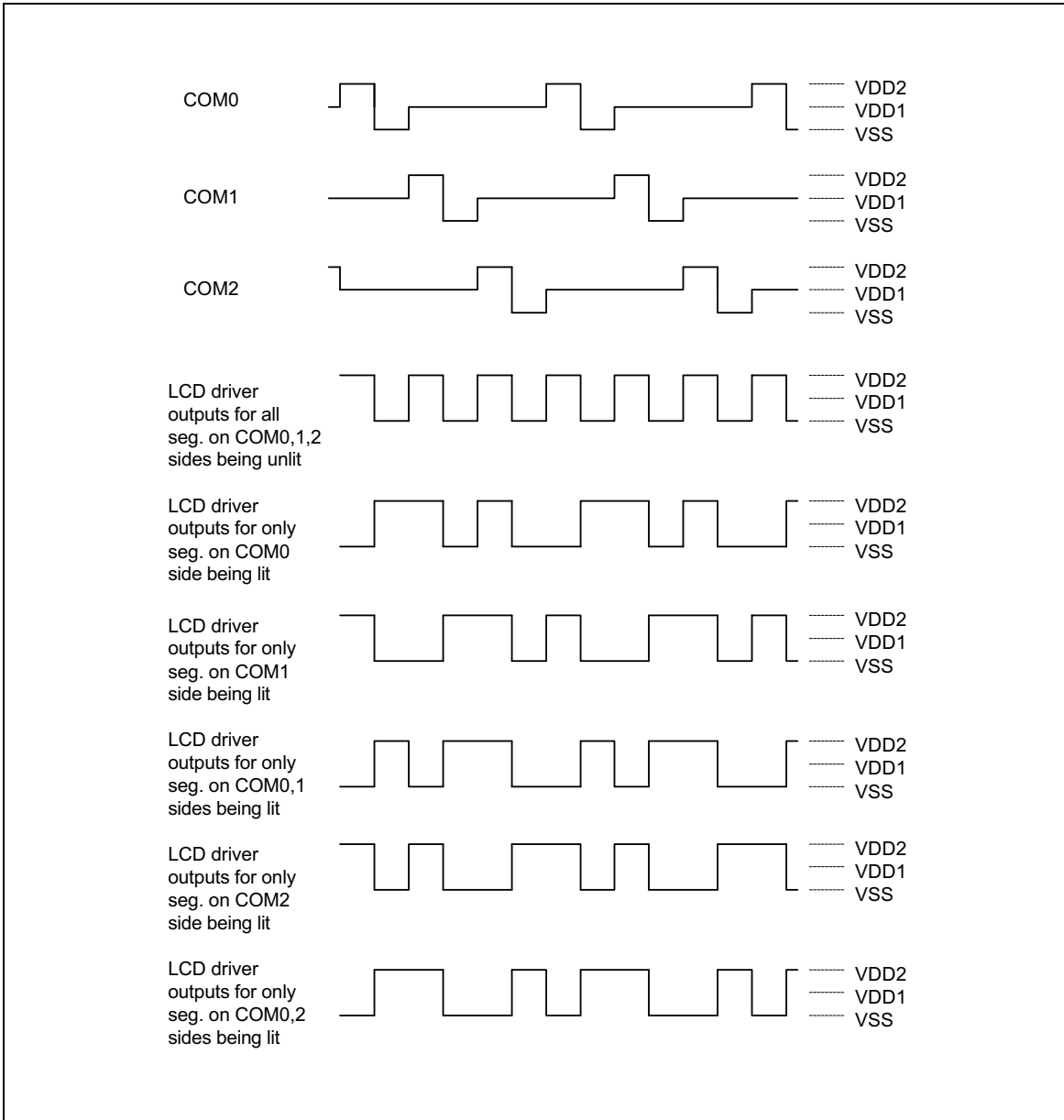


1/2 Bias 1/2 Duty Lighting System (Example)
Normal Operating Mode





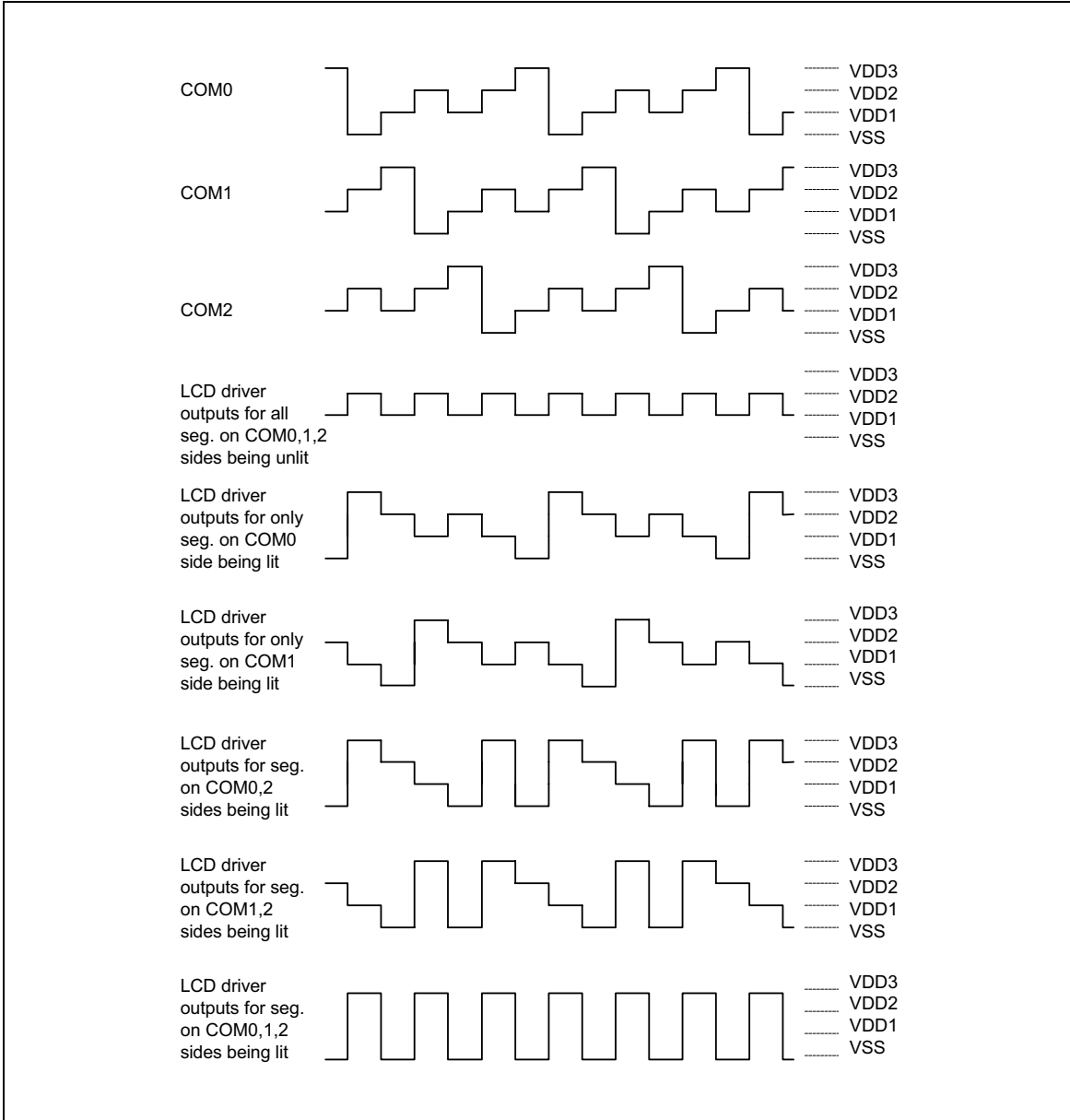
**1/2 Bias 1/3 Duty Lighting System (Example)
Normal Operating Mode**





1/3 Bias 1/3 Duty Lighting System (Example)

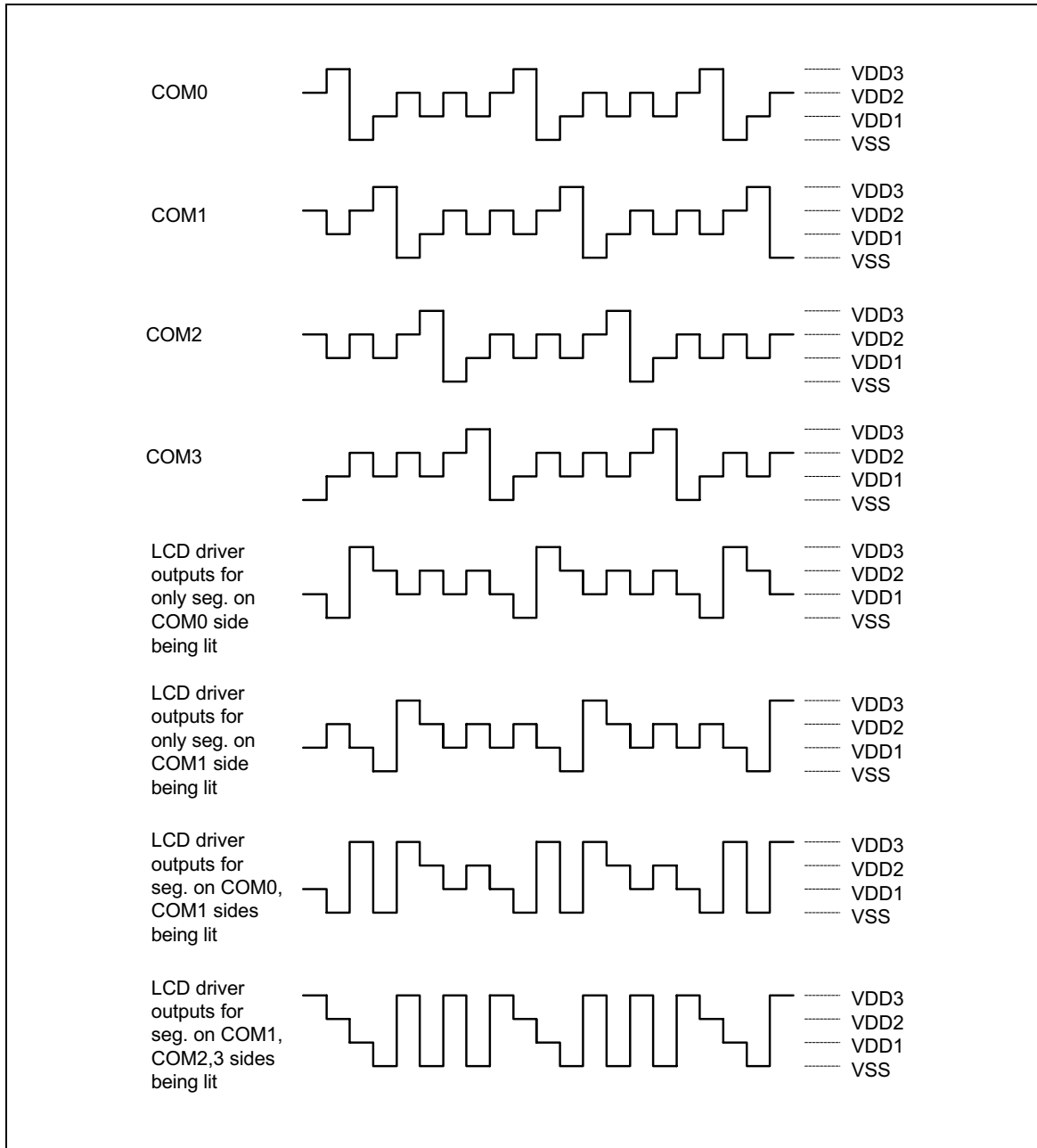
Normal Operating Mode





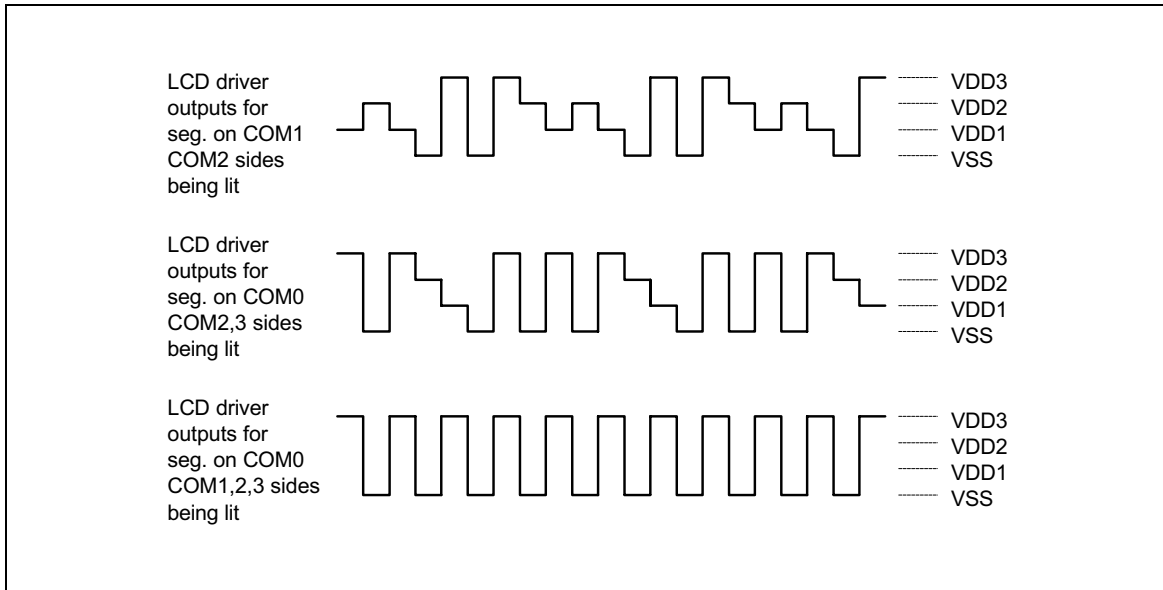
1/3 Bias 1/4 Duty Lighting System (Example)

Normal Operating Mode

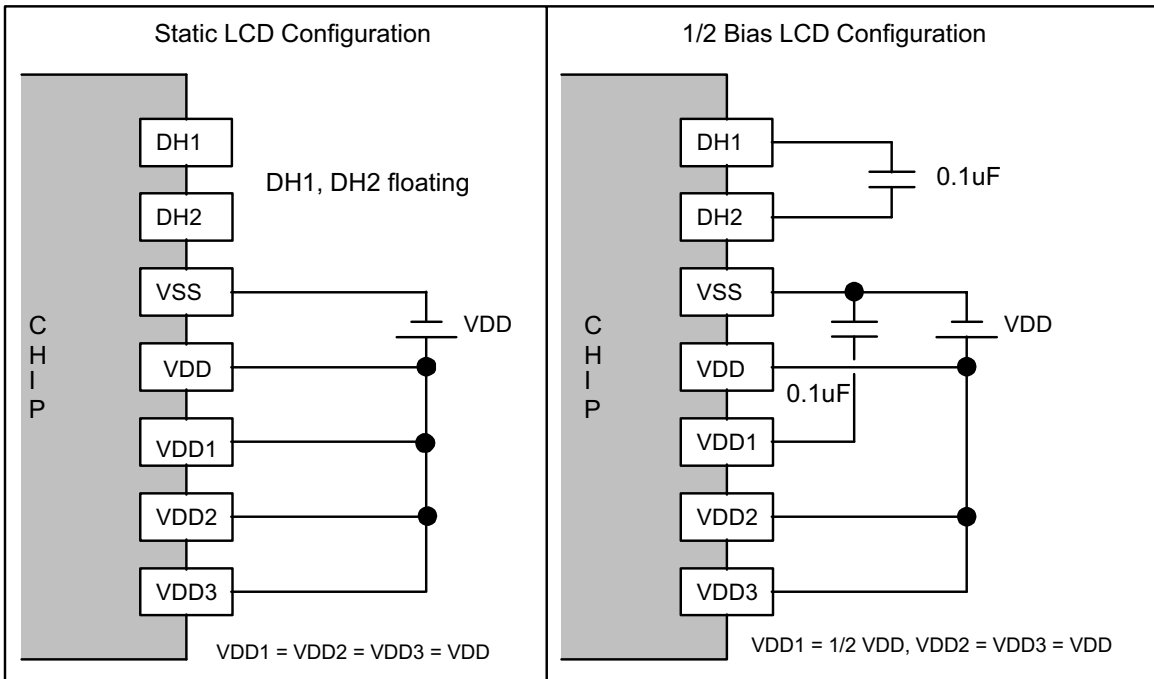




1/3 Bias 1/4 Duty Normal Lighting System, continued

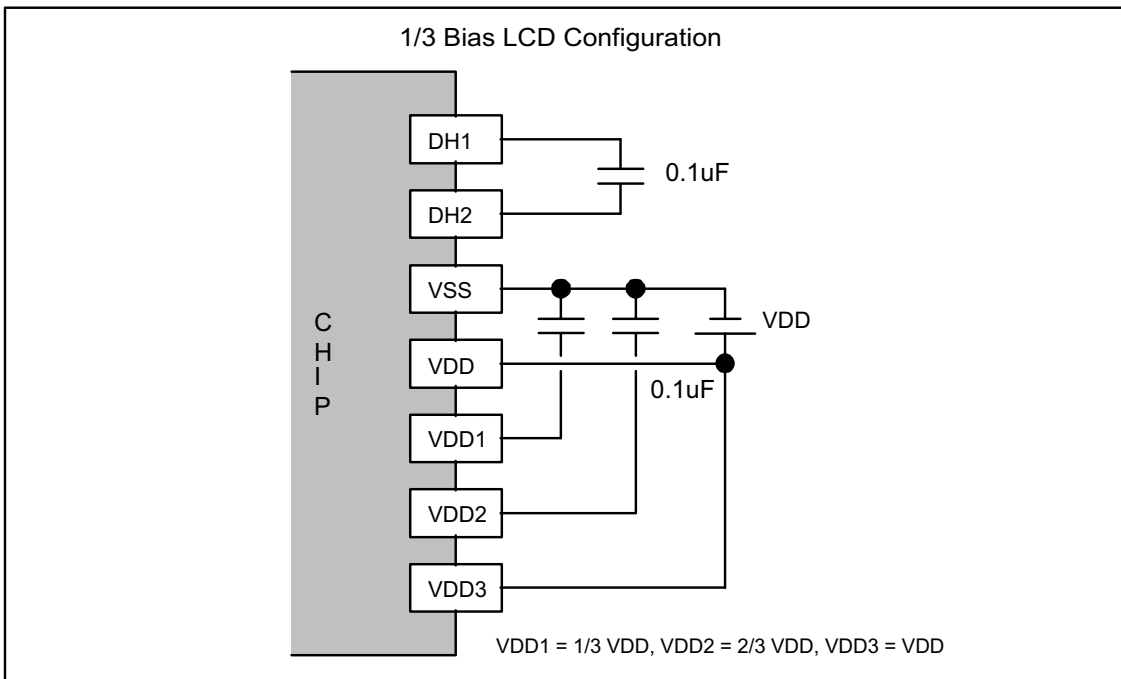
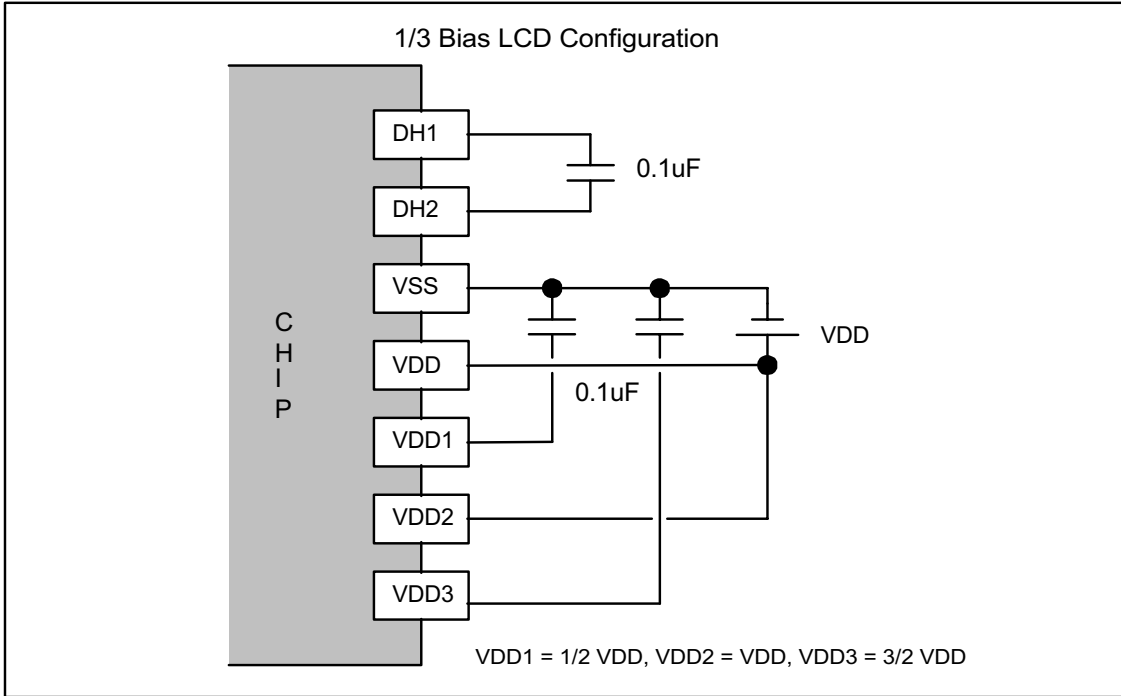


The power connections for each LCD driving mode, which are determined by a mask option, are shown below.





LCD Configuration, continued





ABSOLUTE MAXIMUM RATINGS

PARAMETER	RATING	UNIT
Supply Voltage to Ground Potential	-0.3 to +7.0	V
Applied Input/Output Voltage	-0.3 to +7.0	V
Power Dissipation	120	mW
Ambient Operating Temperature	0 to +70	°C
Storage Temperature	-55 to +150	°C

Note: Exposure to conditions beyond those listed under Absolute Maximum Ratings may adversely affect the life and reliability of the device.

DC CHARACTERISTICS

(V_{DD}-V_{SS} = 3.0V, F_{osc} = 32.768 KHz, T_A = 25° C; unless otherwise specified)

PARAMETER	SYM.	CONDITIONS	MIN.	TYP.	MAX.	UNIT
Op. Voltage	V _{DD}	-	2.2	-	5.5	V
Op. Current (Crystal type)	I _{OP1}	No load (Ext-V)	-	8	20	μA
Op. Current (RC type)	I _{OP2}	No load (Ext-V)	-	35	65	μA
Hold Current (Crystal type)	I _{HM1}	Hold mode No load (Ext-V)	-	4	6	μA
Hold Current (RC type)	I _{HM2}	Hold mode No load (Ext-V)	-	16	40	μA
Stop Current (Crystal type)	I _{SM1}	Stop mode No load (Ext-V)	-	0.1	2	μA
Stop Current (RC type)	I _{SM2}	Stop mode No load (Ext-V)	-	0.1	2	μA
Input Low Voltage	V _{IL}	-	V _{SS}	-	0.3 V _{DD}	V
Input High Voltage	V _{IH}	-	0.7 V _{DD}	-	V _{DD}	V
MFP Output Low Voltage	V _{ML}	I _{OL} = 3.5 mA	-	-	0.4	V
MFP Output High Voltage	V _{MH}	I _{OH} = -3.5 mA	2.4	-	-	V
Port RA, RB Output Low Voltage	V _{ABL}	I _{OL} = 2.0 mA	-	-	0.4	V
Port RA, RB Output high Voltage	V _{ABH}	I _{OH} = -2.0 mA	2.4	-	-	V
LCD Supply Current	I _{LCD}	All Seg. On	-	-	10	μA
SEG0-SEG23 Sink Current (work as LCD output pins)	I _{OL}	V _{OL} = 0.4V V _{LCD} = 0.0V	0.4	-	-	μA
SEG0-SEG23 Drive Current (work as LCD output pins)	I _{OH}	V _{OH} = 2.4V V _{LCD} = 3.0V	0.3	-	-	μA



DC Characteristics, continued

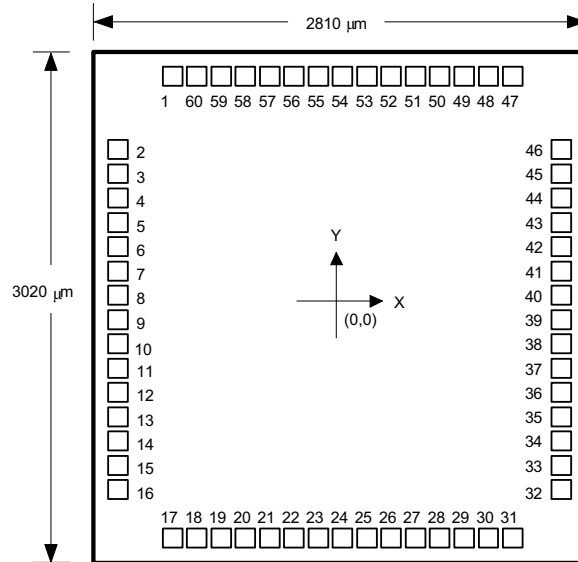
PARAMETER	SYM.	CONDITIONS	MIN.	TYP.	MAX.	UNIT
SEG0–SEG23 Output Low Voltage (work as DC output pins)	VSL	IOL = 0.6 mA	-	-	0.4	V
SEG0–SEG23 Output High Voltage (work as DC output pins)	VSH	IOH = -0.3 μA	2.4	-	-	V
Port RE Sink Current	IEL	VOL = 0.9V	9	-	-	mA
Port RE Source Current	IEH	VOH = 2.4V	0.4	1.2	-	mA
Input Port Pull-up Resistor	RCD	Port RC, RD	100	350	1000	KΩ
$\overline{\text{INT}}$ Pull-up Resistor	RINT	-	50	250	1000	KΩ
$\overline{\text{RES}}$ Pull-up Resistor	RRES	-	20	100	500	KΩ

AC CHARACTERISTICS

(VDD–VSS = 3.0V, TA = 25° C; unless otherwise specified)

PARAMETER	SYM.	CONDITIONS	MIN.	TYP.	MAX.	UNIT
Op. Frequency	FOSC	RC type	-	-	4000	KHz
		Crystal type 1 (Option low-speed type)	-	32.768	-	
		Crystal type 2 (Option high-speed type)	400	-	4190	
Frequency Deviation by Voltage Drop for RC Oscillator	$\frac{\Delta f}{f}$	$\frac{f(3V) - f(2.4V)}{f(3V)}$	-	-	10	%
Instruction Cycle Time	TI	One machine cycle	-	4/FOSC	-	mS
Reset Active Width	TRAW	FOSC = 32.768 KHz	1	-	-	μS
Interrupt Active Width	TIAW	FOSC = 32.768 KHz	1	-	-	μS

PAD ASSIGNMENT & POSITIONS



Note: The chip substrate must be connected to system ground (V_{SS}).

PAD NO.	PAD NAME	X	Y	PAD NO.	PAD NAME	X	Y
1	RD2	-912.10	1297.50	11	COM0	-1209.00	-414.00
2	RD3	-1209.00	756.00	12	SEG0	-1209.00	-544.00
3	RE0	-1209.00	626.00	13	SEG1	-1209.00	-674.00
4	RE1	-1209.00	496.00	14	SEG2	-1209.00	-804.00
5	RE2	-1209.00	366.00	15	SEG3	-1209.00	-934.00
6	RE3	-1209.00	236.00	16	SEG4	-1209.00	-1064.00
7	V _{SS}	-1209.00	106.00	17	SEG5	-912.10	-1314.00
8	COM3	-1209.00	-24.00	18	SEG6	-782.10	-1314.00
9	COM2	-1209.00	-154.00	19	SEG7	-652.10	-1314.00
10	COM1	-1209.00	-284.00	20	SEG8	-522.10	-1314.00

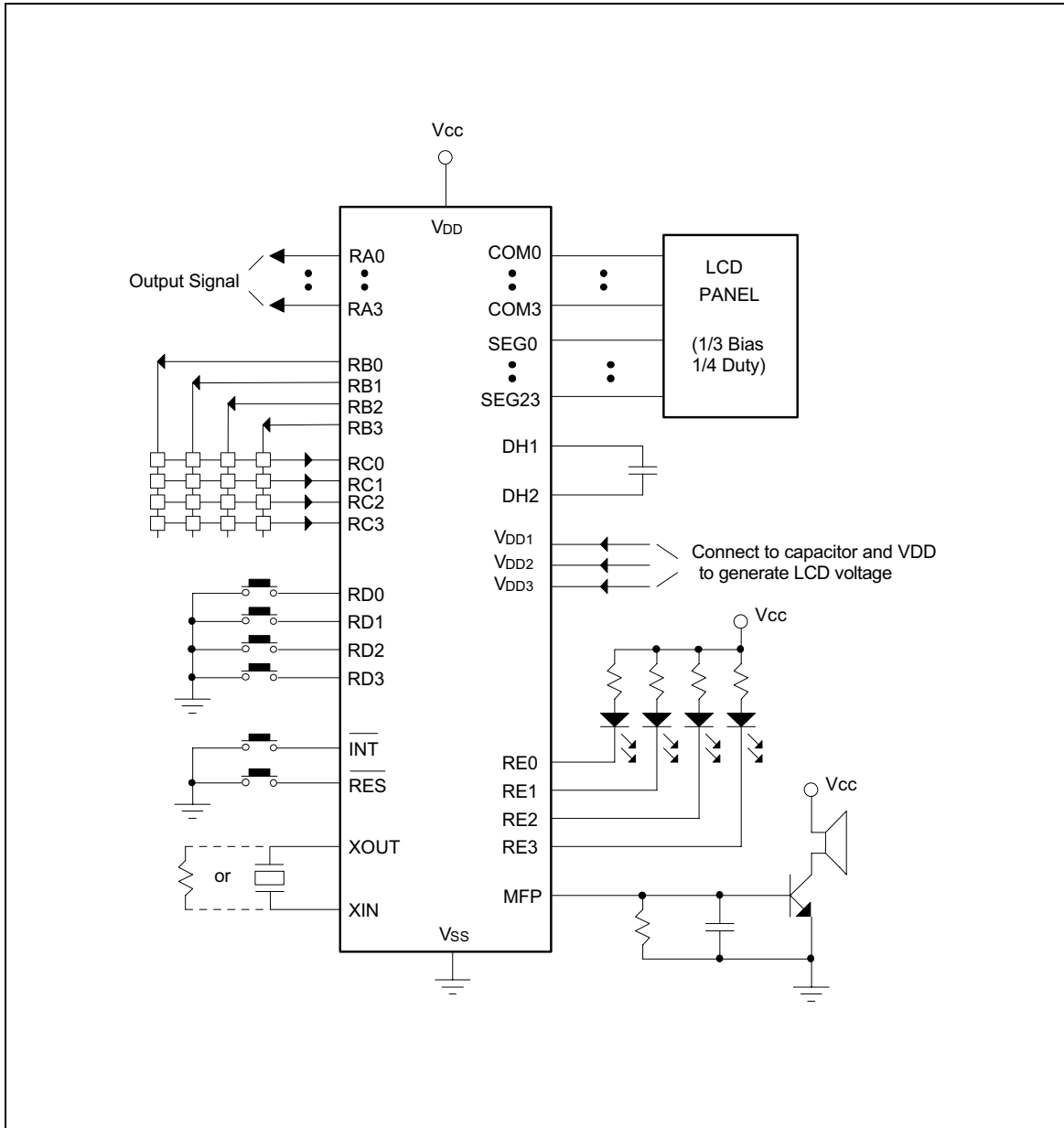
W741C250



Pad positions, continued

PAD NO.	PAD NAME	X	Y	PAD NO.	PAD NAME	X	Y
21	SEG9	-392.10	-1314.00	41	VDD	1201.50	106.00
22	SEG10	-262.10	-1314.00	42	XOUT	1201.50	236.00
23	SEG11	-132.10	-1314.00	43	XIN	1201.50	366.00
24	SEG12	-2.10	-1314.00	44	$\overline{\text{RES}}$	1201.50	496.00
25	SEG13	127.90	-1314.00	45	$\overline{\text{INT}}$	1201.50	626.00
26	SEG14	257.90	-1314.00	46	MFP	1201.50	756.00
27	SEG15	387.90	-1314.00	47	RA0	907.90	1297.50
28	SEG16	517.90	-1314.00	48	RA1	777.90	1297.50
29	SEG17	647.90	-1314.00	49	RA2	647.90	1297.50
30	SEG18	777.90	-1314.00	50	RA3	517.90	1297.50
31	SEG19	907.90	-1314.00	51	RB0	387.90	1297.50
32	SEG20	1201.50	-1064.00	52	RB1	257.90	1297.50
33	SEG21	1201.50	-934.00	53	RB2	127.90	1297.50
34	SEG22	1201.50	-804.00	54	RB3	-2.10	1297.50
35	SEG23	1201.50	-674.00	55	RC0	-132.10	1297.50
36	VDD3	1201.50	-544.00	56	RC1	-262.10	1297.50
37	VDD2	1201.50	-414.00	57	RC2	-392.10	1297.50
38	VDD1	1201.50	-284.00	58	RC3	-522.10	1297.50
39	DH2	1201.50	-154.00	59	RD0	-652.10	1297.50
40	DH1	1201.50	-24.00	60	RD1	-782.10	1297.50

TYPICAL APPLICATION CIRCUIT





INSTRUCTION SET TABLE

Symbol Description

ACC:	Accumulator
ACC.n:	Accumulator bit n
WR:	Working Register
PAGE:	Page Register
MR1:	Mode Register 1
PM0:	Port Mode 0
PM1:	Port Mode 1
PM2:	Port Mode 2
PSR0:	Port Status Register 0
R:	Memory (RAM) of address R
LCDR:	LCD data RAM of address LDR
R.n:	Memory bit n of address R
I:	Constant parameter
L:	Branch or jump address
CF:	Carry Flag
ZF:	Zero Flag
PC:	Program Counter
TM0:	Timer 0
TM1:	Timer 1
IEF.n:	Interrupt Enable Flag n
HCF.n:	HOLD mode release Condition Flag n
HEF.n:	HOLD mode release Enable Flag n
SEF.n:	STOP mode wake-up Enable Flag n
PEF.n:	Port Enable Flag n
EVF.n:	Event Flag n
BF:	Backup Flag
! =:	Not equal
&:	AND
^:	OR



Symbol Description, continued

EX: Exclusive OR
 ←: Transfer direction, result

[PAGE*10H+(): Contents of address PAGE(bit2, bit1, bit0)*10H+()

[P(): Contents of port P()

INSTRUCTION SET TABLE 1

MNEMONIC		FUNCTION	FLAG AFFECTED	CYCLE
<i>Arithmetic</i>				
ADD	R, ACC	ACC←(R) + (ACC)	ZF, CF	1
ADD	WR, #I	ACC←(WR) + I	ZF, CF	1
ADDR	R, ACC	ACC, R←(R) + (ACC)	ZF, CF	1
ADDR	WR, #I	ACC, WR←(WR) + I	ZF, CF	1
ADC	R, ACC	ACC←(R) + (ACC) + (CF)	ZF, CF	1
ADC	WR, #I	ACC←(WR) + I + (CF)	ZF, CF	1
ADCR	R, ACC	ACC, R←(R) + (ACC) + (CF)	ZF, CF	1
ADCR	WR, #I	ACC, WR←(WR) + I + (CF)	ZF, CF	1
ADU	R, ACC	ACC←(R) + (ACC)	ZF	1
ADU	WR, #I	ACC←(WR) + I	ZF	1
ADUR	R, ACC	ACC, R←(R) + (ACC)	ZF	1
ADUR	WR, #I	ACC, W R←(WR) + I	ZF	1
SUB	R, ACC	ACC←(R) - (ACC)	ZF, CF	1
SUB	WR, #I	ACC←(WR) - I	ZF, CF	1
SUBR	R, ACC	ACC, R←(R) - (ACC)	ZF, CF	1
SUBR	WR, #I	ACC, WR←(WR) - I	ZF, CF	1
SBC	R, ACC	ACC←(R) - (ACC) - (CF)	ZF, CF	1
SBC	WR, #I	ACC←(WR) - I - (CF)	ZF, CF	1
SBCR	R, ACC	ACC, R←(R) - (ACC) - (CF)	ZF, CF	1
SBCR	WR, #I	ACC, WR←(WR) - I - (CF)	ZF, CF	1
INC	R	ACC, R←(R) + 1	ZF, CF	1
DEC	R	ACC, R←(R) - 1	ZF, CF	1



Instruction Set Table 1, continued

MNEMONIC		FUNCTION	FLAG AFFECTED	CYCLE
Logic Operations				
ANL	R, ACC	ACC←(R) & (ACC)	ZF	1
ANL	WR, #I	ACC←(WR) & I	ZF	1
ANLR	R, ACC	ACC, R←(R) & (ACC)	ZF	1
ANLR	WR, R #I	ACC, WR←(WR) & I	ZF	1
ORL	R, ACC	ACC←(R) ^ (ACC)	ZF	1
ORL	WR, #I	ACC←(WR) ^ I	ZF	1
ORLR	R, ACC	ACC, R←(R) ^ (ACC)	ZF	1
ORLR	WR, #I	ACC, WR←(WR) ^ I	ZF	1
XRL	R, ACC	ACC←(R) EX (ACC)	ZF	1
XRL	WR, #I	ACC←(WR) EX I	ZF	1
XRLR	R, ACC	ACC, R←(R) EX (ACC)	ZF	1
XRLR	WR, #I	ACC, WR←(WR) EX I	ZF	1
Branch				
JMP	L	PC10-PC0←L10-L0		1
JB0	L	PC10-PC0←L10-L0; if ACC.0 = "1"		1
JB1	L	PC10-PC0←L10-L0; if ACC.1 = "1"		1
JB2	L	PC10-PC0←L10-L0; if ACC.2 = "1"		1
JB3	L	PC10-PC0←L10-L0; if ACC.3 = "1"		1
JZ	L	PC10-PC0←L10-L0; if ACC = 0		1
JNZ	L	PC10-PC0←L10-L0; if ACC != 0		1
JC	L	PC10-PC0←L10-L0; if CF = "1"		1
JNC	L	PC10-PC0←L10-L0; if CF != "1"		1
DSKZ	R	ACC, R←(R) - 1; skip if ACC = 0	ZF, CF	1
DSKNZ	R	ACC, R←(R) - 1; skip if ACC != 0	ZF, CF	1
SKB0	R	Skip if R.0 = "1"		1
SKB1	R	Skip if R.1 = "1"		1
SKB2	R	Skip if R.2 = "1"		1
SKB3	R	Skip if R.3 = "1"		1



Instruction Set Table 1, continued

MNEMONIC	FUNCTION	FLAG AFFECTED	CYCLE
Data Move			
MOV WR, R	WR←(R)		1
MOV R, WR	R←(WR)		1
MOVA WR, R	ACC, WR←(R)	ZF	1
MOVA R, WR	ACC, R←(WR)	ZF	1
MOV R, ACC	R←(ACC)		1
MOV ACC, R	ACC←(R)	ZF	1
MOV R, #I	R←I		1
MOV WR, @R	WR←[PR (bit2, bit1, bit0) × 10H + (R)]		2
MOV @R, WR	[PR (bit2, bit1, bit0) × 10H + (R)]←WR		2
MOV TABH, R	TAB High addresss ← R		1
MOV TABL, R	TAB Low addresss ← R		1
MOVC R	R←[TAB × 10H + (ACC)]		2
MOVC WR, #I	WR ← [(I6 ~ I0) × 10H + (ACC)]		2
Input & Output			
MOVA R, RA	ACC, R←[RA]	ZF	1
MOVA R, RB	ACC, R←[RB]	ZF	1
MOVA R, RC	ACC, R←[RC]	ZF	1
MOVA R, RD	ACC, R←[RD]	ZF	1
MOV RA, R	[RA]←(R)		1
MOV RB, R	[RB]←(R)		1
MOV RE, R	[RT]←(R)		1
MOV MFP, #I	[MFP]← I		1
Flag & Register			
MOVA R, PAGE	ACC, R←PAGE (Page Register)	ZF	1
MOV PAGE, R	PAGE←(R)		1
MOV PAGE, #I	PAGE←I		1
MOV MR0, #I	MR0←I		1
MOV MR1, #I	MR1←I		1



Instruction Set Table 1, continued

MNEMONIC	FUNCTION	FLAG AFFECTED	CYCLE
MOVA R, CF	ACC.0, R.0←CF	ZF	1
MOV CF, R	CF←(R.0)	CF	1
MOVA R, HCFL	ACC, R←HCF0–HCF3	ZF	1
MOVA R, HCFH	ACC, R←HCF4–HCF7	ZF	1
CLR PMF, #I	Clear Parameter Flag if In = 1		1
SET PMF, #I	Set Parameter Flag if In = 1		1
MOV PM0, #I	Port Mode 0← I		1
MOV PM1, #I	Port Mode 1← I		1
MOV PM2, #I	Port Mode 2← I		1
CLR EVF, #I	Clear Event Flag if In = 1		1
MOV PEF, #I	Set/Reset Port Enable Flag		1
MOV IEF, #I	Set/Reset Interrupt Enable Flag		1
MOV HEF, #I	Set/Reset HOLD mode release Enable Flag		1
MOV SEF, #I	Set/Reset STOP mode wake-up Enable Flag for RC port		1
MOVA R, PSR0	ACC, R←Port Status Register 0	ZF	1
CLR PSR0	Clear Port Status Register 0		1
SET CF	Set Carry Flag	CF	1
CLR CF	Clear Carry Flag	CF	1
CLR DIVR0	Clear last 4 bits of Divider 0		1
CLR WDT	Clear Watchdog Timer		1
Shift & Rotate			
SHRC R	ACC.n, R.n←(R.n+1); ACC.3, R.3←0; CF←R.0	ZF, CF	1
RRC R	ACC.n, R.n←(R.n+1); ACC.3, R.3←CF; CF←R.0	ZF, CF	1
SHLC R	ACC.n, R.n←(R.n-1); ACC.0, R.0←0; CF←R.3	ZF, CF	1
RLC R	ACC.n, R.n←(R.n-1); ACC.0, R.0←CF; CF←R.3	ZF, CF	1



Instruction Set Table 1, continued

MNEMONIC		FUNCTION	FLAG AFFECTED	CYCLE
LCD				
MOV	LCDR, #I	LCDR ← I		1
MOV	WR, LCDR	WR ← (LCDR)		1
MOV	LCDR, WR	LCDR ← (WR)		1
MOV	LCDR, ACC	LCDR ← (ACC)		1
MOV	LCDM, #I	Select LCD output mode type		1
LCDON		LCD ON		1
LCDOFF		LCD OFF		1
Timer				
MOV	TM0H, R	Timer 0 High register ← R		1
MOV	TM0L, R	Timer 0 Low register ← R		1
MOV	TM0, #I	Timer 0 set		1
MOV	TM1H, R	Timer 1 High register ← R		1
MOV	TM1L, R	Timer 1 Low register ← R		1
MOV	TM1, #I	Timer 1 set		1
Subroutine				
CALL	L	STACK ← (PC)+1; PC10-PC0 ← L10-L0		1
RTN		(PC) ← STACK		1
Other				
HOLD		Enter Hold mode		1
STOP		Enter Stop mode		1
NOP		No Operation		1
EN	INT	Enable Interrupt Function		1
DIS	INT	Disable Interrupt Function		1



INSTRUCTION SET TABLE 2

ADC R, ACC	Add R to ACC with CF		
Machine Code:	<table border="1"> <tr> <td>0 0 0 0 1 0 0 0</td> <td>0 R6 R5 R4 R3 R2 R1 R0</td> </tr> </table>	0 0 0 0 1 0 0 0	0 R6 R5 R4 R3 R2 R1 R0
0 0 0 0 1 0 0 0	0 R6 R5 R4 R3 R2 R1 R0		
Machine Cycle:	1		
Operation:	$ACC \leftarrow (R) + (ACC) + (CF)$		
Description:	The contents of the data memory location addressed by R6 to R0, ACC, and CF are binary added and the result is loaded into the ACC.		
Flag Affected:	CF & ZF		
ADC WR, #I	Add immediate data to WR with CF		
Machine Code:	<table border="1"> <tr> <td>0 0 0 0 1 1 0 0</td> <td>I3 I2 I1 I0 W3 W2 W1 W0</td> </tr> </table>	0 0 0 0 1 1 0 0	I3 I2 I1 I0 W3 W2 W1 W0
0 0 0 0 1 1 0 0	I3 I2 I1 I0 W3 W2 W1 W0		
Machine Cycle:	1		
Operation:	$ACC \leftarrow (WR) + I + (CF)$		
Description:	The contents of the Working Register (WR), I, and CF are binary added and the result is loaded into the ACC.		
Flag Affected:	CF & ZF		
ADCR R, ACC	Add R to ACC with CF		
Machine Code:	<table border="1"> <tr> <td>0 0 0 0 1 0 0 1</td> <td>0 R6 R5 R4 R3 R2 R1 R0</td> </tr> </table>	0 0 0 0 1 0 0 1	0 R6 R5 R4 R3 R2 R1 R0
0 0 0 0 1 0 0 1	0 R6 R5 R4 R3 R2 R1 R0		
Machine Cycle:	1		
Operation:	$ACC, R \leftarrow (R) + (ACC) + (CF)$		
Description:	The contents of the data memory location addressed by R6 to R0, ACC, and CF are binary added and the result is placed in the ACC and the data memory.		
Flag Affected:	CF & ZF		



Instruction Set Table 2, continued

ADCR WR, #I	Add immediate data to WR with CF																	
Machine Code:	<table border="1"><tr><td>0</td><td>0</td><td>0</td><td>0</td><td>1</td><td>1</td><td>0</td><td>1</td></tr></table>	0	0	0	0	1	1	0	1	<table border="1"><tr><td>I3</td><td>I2</td><td>I1</td><td>I0</td><td>W3</td><td>W2</td><td>W1</td><td>W0</td></tr></table>	I3	I2	I1	I0	W3	W2	W1	W0
0	0	0	0	1	1	0	1											
I3	I2	I1	I0	W3	W2	W1	W0											
Machine Cycle:	1																	
Operation:	$ACC, WR \leftarrow (WR) + I + (CF)$																	
Description:	The contents of the Working Register (WR), I, CF are binary added and the result is placed in the ACC and the WR.																	
Flag Affected:	CF & ZF																	
ADD R, ACC	Add R to ACC																	
Machine Code:	<table border="1"><tr><td>0</td><td>0</td><td>0</td><td>1</td><td>1</td><td>0</td><td>0</td><td>0</td></tr></table>	0	0	0	1	1	0	0	0	<table border="1"><tr><td>0</td><td>R6</td><td>R5</td><td>R4</td><td>R3</td><td>R2</td><td>R1</td><td>R0</td></tr></table>	0	R6	R5	R4	R3	R2	R1	R0
0	0	0	1	1	0	0	0											
0	R6	R5	R4	R3	R2	R1	R0											
Machine Cycle:	1																	
Operation:	$ACC \leftarrow (R) + (ACC)$																	
Description:	The contents of the data memory location addressed by R6 to R0 and ACC are binary added and the result is loaded into the ACC.																	
Flag Affected:	CF & ZF																	
ADD WR, #I	Add immediate data to WR																	
Machine Code:	<table border="1"><tr><td>0</td><td>0</td><td>0</td><td>1</td><td>1</td><td>1</td><td>0</td><td>0</td></tr></table>	0	0	0	1	1	1	0	0	<table border="1"><tr><td>I3</td><td>I2</td><td>I1</td><td>I0</td><td>W3</td><td>W2</td><td>W1</td><td>W0</td></tr></table>	I3	I2	I1	I0	W3	W2	W1	W0
0	0	0	1	1	1	0	0											
I3	I2	I1	I0	W3	W2	W1	W0											
Machine Cycle:	1																	
Operation:	$ACC \leftarrow (WR) + I$																	
Description:	The contents of the Working Register (WR) and the immediate data I are binary added and the result is loaded into the ACC.																	
Flag Affected:	CF & ZF																	



Instruction Set Table 2, continued

ADDR R, ACC	Add R to ACC																
Machine Code:	<table border="1" style="display: inline-table; margin-right: 20px;"> <tr> <td>0</td><td>0</td><td>0</td><td>1</td><td>1</td><td>0</td><td>0</td><td>1</td> </tr> </table> <table border="1" style="display: inline-table;"> <tr> <td>0</td><td>R6</td><td>R5</td><td>R4</td><td>R3</td><td>R2</td><td>R1</td><td>R0</td> </tr> </table>	0	0	0	1	1	0	0	1	0	R6	R5	R4	R3	R2	R1	R0
0	0	0	1	1	0	0	1										
0	R6	R5	R4	R3	R2	R1	R0										
Machine Cycle:	1																
Operation:	$ACC, R \leftarrow (R) + (ACC)$																
Description:	The contents of the data memory location addressed by R6 to R0 and ACC are binary added and the result is placed in the ACC and the data memory.																
Flag Affected:	CF & ZF																
ADDR WR, #I	Add immediate data to WR																
Machine Code:	<table border="1" style="display: inline-table; margin-right: 20px;"> <tr> <td>0</td><td>0</td><td>0</td><td>1</td><td>1</td><td>1</td><td>0</td><td>1</td> </tr> </table> <table border="1" style="display: inline-table;"> <tr> <td>I3</td><td>I2</td><td>I1</td><td>I0</td><td>W3</td><td>W2</td><td>W1</td><td>W0</td> </tr> </table>	0	0	0	1	1	1	0	1	I3	I2	I1	I0	W3	W2	W1	W0
0	0	0	1	1	1	0	1										
I3	I2	I1	I0	W3	W2	W1	W0										
Machine Cycle:	1																
Operation:	$ACC, WR \leftarrow (WR) + I$																
Description:	The contents of the Working Register (WR) and the immediate data I are binary added and the result is placed in the ACC and the WR.																
Flag Affected:	CF & ZF																
ADU R, ACC	Add R to ACC and Carry Flag unchanged																
Machine Code:	<table border="1" style="display: inline-table; margin-right: 20px;"> <tr> <td>0</td><td>0</td><td>1</td><td>0</td><td>1</td><td>0</td><td>0</td><td>0</td> </tr> </table> <table border="1" style="display: inline-table;"> <tr> <td>0</td><td>R6</td><td>R5</td><td>R4</td><td>R3</td><td>R2</td><td>R1</td><td>R0</td> </tr> </table>	0	0	1	0	1	0	0	0	0	R6	R5	R4	R3	R2	R1	R0
0	0	1	0	1	0	0	0										
0	R6	R5	R4	R3	R2	R1	R0										
Machine Cycle:	1																
Operation:	$ACC \leftarrow (R) + (ACC)$																
Description:	The contents of the data memory location addressed by R6 to R0 and ACC are binary added and the result is loaded into the ACC.																
Flag Affected:	ZF																



Instruction Set Table 2, continued

ADU WR, #I	Add immediate data to WR and Carry Flag unchanged																
Machine Code:	<table border="1" style="display: inline-table; margin-right: 20px;"> <tr> <td>0</td><td>0</td><td>1</td><td>0</td><td>1</td><td>1</td><td>0</td><td>0</td> </tr> </table> <table border="1" style="display: inline-table;"> <tr> <td>I3</td><td>I2</td><td>I1</td><td>I0</td><td>W3</td><td>W2</td><td>W1</td><td>W0</td> </tr> </table>	0	0	1	0	1	1	0	0	I3	I2	I1	I0	W3	W2	W1	W0
0	0	1	0	1	1	0	0										
I3	I2	I1	I0	W3	W2	W1	W0										
Machine Cycle:	1																
Operation:	$ACC \leftarrow (WR) + I$																
Description:	The contents of the Working Register (WR) and the immediate data I are binary added and the result is loaded into the ACC.																
Flag Affected:	ZF																
ADUR R, ACC	Add R to ACC and Carry Flag unchanged																
Machine Code:	<table border="1" style="display: inline-table; margin-right: 20px;"> <tr> <td>0</td><td>0</td><td>1</td><td>0</td><td>1</td><td>0</td><td>0</td><td>1</td> </tr> </table> <table border="1" style="display: inline-table;"> <tr> <td>0</td><td>R6</td><td>R5</td><td>R4</td><td>R3</td><td>R2</td><td>R1</td><td>R0</td> </tr> </table>	0	0	1	0	1	0	0	1	0	R6	R5	R4	R3	R2	R1	R0
0	0	1	0	1	0	0	1										
0	R6	R5	R4	R3	R2	R1	R0										
Machine Cycle:	1																
Operation:	$ACC, R \leftarrow (R) + (ACC)$																
Description:	The contents of the data memory location addressed by R6 to R0 and ACC are binary added and the result is placed in the ACC and the data memory.																
Flag Affected:	ZF																
ADUR WR, #I	Add immediate data to WR and Carry Flag unchanged																
Machine Code:	<table border="1" style="display: inline-table; margin-right: 20px;"> <tr> <td>0</td><td>0</td><td>1</td><td>0</td><td>1</td><td>1</td><td>0</td><td>1</td> </tr> </table> <table border="1" style="display: inline-table;"> <tr> <td>I3</td><td>I2</td><td>I1</td><td>I0</td><td>W3</td><td>W2</td><td>W1</td><td>W0</td> </tr> </table>	0	0	1	0	1	1	0	1	I3	I2	I1	I0	W3	W2	W1	W0
0	0	1	0	1	1	0	1										
I3	I2	I1	I0	W3	W2	W1	W0										
Machine Cycle:	1																
Operation:	$ACC, WR \leftarrow (WR) + I$																
Description:	The contents of the Working Register (WR) and the immediate data I are binary added and the result is placed in the WR and the ACC.																
Flag Affected:	ZF																



Instruction Set Table 2, continued

ANL R, ACC	And R to ACC		
Machine Code:	<table border="1"> <tr> <td>0 0 1 0 1 0 1 0</td> <td>0 R6 R5 R4 R3 R2 R1 R0</td> </tr> </table>	0 0 1 0 1 0 1 0	0 R6 R5 R4 R3 R2 R1 R0
0 0 1 0 1 0 1 0	0 R6 R5 R4 R3 R2 R1 R0		
Machine Cycle:	1		
Operation:	$ACC \leftarrow (R) \& (ACC)$		
Description:	The contents of the data memory location addressed by R6 to R0 and the ACC are ANDed and the result is loaded into the ACC.		
Flag Affected:	ZF		
ANL WR, #I	And immediate data to WR		
Machine Code:	<table border="1"> <tr> <td>0 0 1 0 1 1 1 0</td> <td>I3 I2 I1 I0 W3 W2 W1 W0</td> </tr> </table>	0 0 1 0 1 1 1 0	I3 I2 I1 I0 W3 W2 W1 W0
0 0 1 0 1 1 1 0	I3 I2 I1 I0 W3 W2 W1 W0		
Machine Cycle:	1		
Operation:	$ACC \leftarrow (WR) \& I$		
Description:	The contents of the Working Register (WR) and the immediate data I are ANDed and the result is loaded into the ACC.		
Flag Affected:	ZF		
ANLR R, ACC	And R to ACC		
Machine Code:	<table border="1"> <tr> <td>0 0 1 0 1 0 1 1</td> <td>0 R6 R5 R4 R3 R2 R1 R0</td> </tr> </table>	0 0 1 0 1 0 1 1	0 R6 R5 R4 R3 R2 R1 R0
0 0 1 0 1 0 1 1	0 R6 R5 R4 R3 R2 R1 R0		
Machine Cycle:	1		
Operation:	$ACC, R \leftarrow (R) \& (ACC)$		
Description:	The contents of the data memory location addressed by R6 to R0 and the ACC are ANDed and the result is placed in the data memory and the ACC.		
Flag Affected:	ZF		



Instruction Set Table 2, continued

ANLR WR, #I	And immediate data to WR																
Machine Code:	<table border="1" style="display: inline-table; margin-right: 20px;"> <tr> <td>0</td><td>0</td><td>1</td><td>0</td><td>1</td><td>1</td><td>1</td><td>1</td> </tr> </table> <table border="1" style="display: inline-table;"> <tr> <td>I3</td><td>I2</td><td>I1</td><td>I0</td><td>W3</td><td>W2</td><td>W1</td><td>W0</td> </tr> </table>	0	0	1	0	1	1	1	1	I3	I2	I1	I0	W3	W2	W1	W0
0	0	1	0	1	1	1	1										
I3	I2	I1	I0	W3	W2	W1	W0										
Machine Cycle:	1																
Operation:	ACC, WR ← (WR) & I																
Description:	The contents of the Working Register (WR) and the immediate data I are ANDed and the result is placed in the WR and the ACC.																
Flag Affected:	ZF																
CALL L	Call subroutine																
Machine Code:	<table border="1" style="display: inline-table; margin-right: 20px;"> <tr> <td>0</td><td>1</td><td>1</td><td>0</td><td>0</td><td>L10</td><td>L9</td><td>L8</td> </tr> </table> <table border="1" style="display: inline-table;"> <tr> <td>L7</td><td>L6</td><td>L5</td><td>L4</td><td>L3</td><td>L2</td><td>L1</td><td>L0</td> </tr> </table>	0	1	1	0	0	L10	L9	L8	L7	L6	L5	L4	L3	L2	L1	L0
0	1	1	0	0	L10	L9	L8										
L7	L6	L5	L4	L3	L2	L1	L0										
Machine Cycle:	1																
Operation:	STACK ← (PC)+1; PC10-PC0 ← L10-L0																
Description:	The next program counter (PC10 to PC0) is saved in the STACK and then the direct address (L10 to L0) is loaded into the program counter. A subroutine is called.																
CLR CF	Clear CF																
Machine Code:	<table border="1" style="display: inline-table; margin-right: 20px;"> <tr> <td>0</td><td>1</td><td>0</td><td>1</td><td>0</td><td>0</td><td>0</td><td>0</td> </tr> </table> <table border="1" style="display: inline-table;"> <tr> <td>0</td><td>0</td><td>0</td><td>0</td><td>0</td><td>0</td><td>0</td><td>0</td> </tr> </table>	0	1	0	1	0	0	0	0	0	0	0	0	0	0	0	0
0	1	0	1	0	0	0	0										
0	0	0	0	0	0	0	0										
Machine Cycle:	1																
Operation:	Clear CF																
Description:	Clear Carry Flag to 0.																
Flag Affected:	CF																



Instruction Set Table 2, continued

CLR	DIVR0	Reset the last 4 bits of the DIVideR0																
Machine Code:		<table border="1"> <tr> <td>0 0 0 1 0 1 1 1</td> <td>0 0 0 0 0 0 0 0</td> </tr> </table>	0 0 0 1 0 1 1 1	0 0 0 0 0 0 0 0														
0 0 0 1 0 1 1 1	0 0 0 0 0 0 0 0																	
Machine Cycle:		1																
Operation:		Reset the last 4 bits of Divider 0																
Description:		When this instruction is executed, the last 4 bits of Divider 0 (14 bits) are reset.																
CLR	EVF, #I	Clear EVent Flag																
Machine Code:		<table border="1"> <tr> <td>0 1 0 0 0 0 0 0</td> <td>17 16 15 14 13 12 11 10</td> </tr> </table>	0 1 0 0 0 0 0 0	17 16 15 14 13 12 11 10														
0 1 0 0 0 0 0 0	17 16 15 14 13 12 11 10																	
Machine Cycle:		1																
Operation:		Clear event flag																
Description:		<p>The condition corresponding to the data specified by I7 to I0 is controlled.</p> <table border="1"> <tr> <td>I0 to I8</td> <td>Mode after execution of instruction</td> </tr> <tr> <td>I0 = 1</td> <td>EVF0 caused by overflow from Divider 0 is reset.</td> </tr> <tr> <td>I1 = 1</td> <td>EVF1 caused by underflow from Timer 0 is reset.</td> </tr> <tr> <td>I2 = 1</td> <td>EVF2 caused by signal change on port RC is reset.</td> </tr> <tr> <td>I3 = 1</td> <td>Reserved</td> </tr> <tr> <td>I4 = 1</td> <td>EVF4 caused by falling edge signal on the INT pin is reset.</td> </tr> <tr> <td>I5, I6</td> <td>Reserved</td> </tr> <tr> <td>I7 = 1</td> <td>EVF7 caused by underflow from Timer 1 is reset.</td> </tr> </table>	I0 to I8	Mode after execution of instruction	I0 = 1	EVF0 caused by overflow from Divider 0 is reset.	I1 = 1	EVF1 caused by underflow from Timer 0 is reset.	I2 = 1	EVF2 caused by signal change on port RC is reset.	I3 = 1	Reserved	I4 = 1	EVF4 caused by falling edge signal on the INT pin is reset.	I5, I6	Reserved	I7 = 1	EVF7 caused by underflow from Timer 1 is reset.
I0 to I8	Mode after execution of instruction																	
I0 = 1	EVF0 caused by overflow from Divider 0 is reset.																	
I1 = 1	EVF1 caused by underflow from Timer 0 is reset.																	
I2 = 1	EVF2 caused by signal change on port RC is reset.																	
I3 = 1	Reserved																	
I4 = 1	EVF4 caused by falling edge signal on the INT pin is reset.																	
I5, I6	Reserved																	
I7 = 1	EVF7 caused by underflow from Timer 1 is reset.																	



Instruction Set Table 2, continued

CLR	PMF, #I	Clear ParaMeter Flag		
Machine Code:		<table border="1"> <tr> <td>0 0 0 1 0 1 1 0</td> <td>1 0 0 0 13 12 11 10</td> </tr> </table>	0 0 0 1 0 1 1 0	1 0 0 0 13 12 11 10
0 0 0 1 0 1 1 0	1 0 0 0 13 12 11 10			
Machine Cycle:		1		
Operation:		Clear Parameter Flag		
Description:		Description of each flag: I0, I1, I2 : Reserved I3 = 1 : The input clock of the watchdog timer is Fosc/1024.		
CLR	PSR0	Clear Port Status Register 0 (RC port signal change flag)		
Machine Code:		<table border="1"> <tr> <td>0 1 0 0 0 0 1 0</td> <td>0 0 0 0 0 0 0 0</td> </tr> </table>	0 1 0 0 0 0 1 0	0 0 0 0 0 0 0 0
0 1 0 0 0 0 1 0	0 0 0 0 0 0 0 0			
Machine Cycle:		1		
Operation:		Clear Port Status Register 0 (RC port signal change flag)		
Description:		When this instruction is executed, the RC port signal change flag (PSR0) is cleared.		
CLR	WDT	Reset the last 4 bits of the WatchDog Timer		
Machine Code:		<table border="1"> <tr> <td>0 0 0 1 0 1 1 1</td> <td>1 0 0 0 0 0 0 0</td> </tr> </table>	0 0 0 1 0 1 1 1	1 0 0 0 0 0 0 0
0 0 0 1 0 1 1 1	1 0 0 0 0 0 0 0			
Machine Cycle:		1		
Operation:		Reset the last 4 bits of the watchdog timer		
Description:		When this instruction is executed, the last 4 bits of the watchdog timer are reset.		



Instruction Set Table 2, continued

DEC R	Decrement R content		
<p>Machine Code:</p> <p>Machine Cycle:</p> <p>Operation:</p> <p>Description:</p> <p>Flag Affected:</p>	<table border="1" style="width: 100%; border-collapse: collapse;"> <tr> <td style="text-align: center; padding: 2px;">0 1 0 0 1 0 1 0</td> <td style="text-align: center; padding: 2px;">1 R6 R5 R4 R3 R2 R1 R0</td> </tr> </table> <p>1</p> <p>ACC, R ← (R) - 1</p> <p>Decrement the data memory content and load result into the ACC and the data memory.</p> <p>CF & ZF</p>	0 1 0 0 1 0 1 0	1 R6 R5 R4 R3 R2 R1 R0
0 1 0 0 1 0 1 0	1 R6 R5 R4 R3 R2 R1 R0		
DIS INT	Disable interrupt function		
<p>Machine Code:</p> <p>Machine Cycle:</p> <p>Operation:</p> <p>Description:</p>	<table border="1" style="width: 100%; border-collapse: collapse;"> <tr> <td style="text-align: center; padding: 2px;">0 1 0 1 0 0 0 0</td> <td style="text-align: center; padding: 2px;">1 0 0 0 0 0 0 0</td> </tr> </table> <p>1</p> <p>Disable interrupt function</p> <p>Interrupt function is inhibited by executing this instruction.</p>	0 1 0 1 0 0 0 0	1 0 0 0 0 0 0 0
0 1 0 1 0 0 0 0	1 0 0 0 0 0 0 0		
DSKNZ R	Decrement R content then skip if ACC != 0		
<p>Machine Code:</p> <p>Machine Cycle:</p> <p>Operation:</p> <p>Description:</p> <p>Flag Affected:</p>	<table border="1" style="width: 100%; border-collapse: collapse;"> <tr> <td style="text-align: center; padding: 2px;">0 1 0 0 1 0 0 0</td> <td style="text-align: center; padding: 2px;">1 R6 R5 R4 R3 R2 R1 R0</td> </tr> </table> <p>1</p> <p>ACC, R ← (R) - 1; PC ← (PC) + 2 if ACC != 0</p> <p>Decrement the data memory content and load result into the ACC and the data memory. If ACC != 0, the program counter is incremented by 2 and produces a skip.</p> <p>CF & ZF</p>	0 1 0 0 1 0 0 0	1 R6 R5 R4 R3 R2 R1 R0
0 1 0 0 1 0 0 0	1 R6 R5 R4 R3 R2 R1 R0		



Instruction Set Table 2, continued

DSKZ R	Decrement R content then skip if ACC is zero																
Machine Code:	<table border="1" style="display: inline-table; margin-right: 20px;"> <tr> <td>0</td><td>1</td><td>0</td><td>0</td><td>1</td><td>0</td><td>0</td><td>0</td> </tr> </table> <table border="1" style="display: inline-table;"> <tr> <td>0</td><td>R6</td><td>R5</td><td>R4</td><td>R3</td><td>R2</td><td>R1</td><td>R0</td> </tr> </table>	0	1	0	0	1	0	0	0	0	R6	R5	R4	R3	R2	R1	R0
0	1	0	0	1	0	0	0										
0	R6	R5	R4	R3	R2	R1	R0										
Machine Cycle:	1																
Operation:	<p>ACC, R ← (R) - 1; PC ← (PC) + 2 if ACC = 0</p>																
Description:	Decrement the data memory content and load result into the ACC and the data memory. If ACC = 0, the program counter is incremented by 2 and produces a skip.																
Flag Affected:	CF & ZF																
EN INT	Enable interrupt function																
Machine Code:	<table border="1" style="display: inline-table; margin-right: 20px;"> <tr> <td>0</td><td>1</td><td>0</td><td>1</td><td>0</td><td>0</td><td>0</td><td>0</td> </tr> </table> <table border="1" style="display: inline-table;"> <tr> <td>1</td><td>1</td><td>0</td><td>0</td><td>0</td><td>0</td><td>0</td><td>0</td> </tr> </table>	0	1	0	1	0	0	0	0	1	1	0	0	0	0	0	0
0	1	0	1	0	0	0	0										
1	1	0	0	0	0	0	0										
Machine Cycle:	1																
Operation:	Enable interrupt function																
Description:	This instruction enables the interrupt function.																
HOLD	Enter the HOLD mode																
Machine Code:	<table border="1" style="display: inline-table; margin-right: 20px;"> <tr> <td>0</td><td>0</td><td>0</td><td>0</td><td>0</td><td>0</td><td>0</td><td>0</td> </tr> </table> <table border="1" style="display: inline-table;"> <tr> <td>1</td><td>0</td><td>0</td><td>0</td><td>0</td><td>0</td><td>0</td><td>0</td> </tr> </table>	0	0	0	0	0	0	0	0	1	0	0	0	0	0	0	0
0	0	0	0	0	0	0	0										
1	0	0	0	0	0	0	0										
Machine Cycle:	1																
Operation:	Enter the HOLD mode																
Description:	<p>The following two conditions cause the HOLD mode to be released.</p> <p>(1) An interrupt is accepted.</p> <p>(2) The HOLD release condition specified by the HEF is met.</p> <p>In HOLD mode, when an interrupt is accepted the HOLD mode will be released and the interrupt service routine will be executed. After completing the interrupt service routine by executing the RTN instruction, the μC will enter HOLD mode again.</p>																



Instruction Set Table 2, continued

INC	R	Increment R content		
Machine Code:		<table border="1"> <tr> <td>0 1 0 0 1 0 1 0</td> <td>0 R6 R5 R4 R3 R2 R1 R0</td> </tr> </table>	0 1 0 0 1 0 1 0	0 R6 R5 R4 R3 R2 R1 R0
0 1 0 0 1 0 1 0	0 R6 R5 R4 R3 R2 R1 R0			
Machine Cycle:		1		
Operation:		ACC, R ← (R) + 1		
Description:		Increment the data memory content and load the result into the ACC and the data memory.		
Flag Affected:		CF & ZF		
JB0	L	Jump when bit 0 of ACC is "1"		
Machine Code:		<table border="1"> <tr> <td>1 0 0 0 0 L10 L9 L8</td> <td>L7 L6 L5 L4 L3 L2 L1 L0</td> </tr> </table>	1 0 0 0 0 L10 L9 L8	L7 L6 L5 L4 L3 L2 L1 L0
1 0 0 0 0 L10 L9 L8	L7 L6 L5 L4 L3 L2 L1 L0			
Machine Cycle:		1		
Operation:		PC10–PC0 ← L10–L0; if ACC.0 = "1"		
Description:		If bit 0 of the ACC is "1," PC10 to PC0 of the program counter are replaced with the data specified by L10 to L0 and a jump occurs. If bit 0 of the ACC is "0," the program counter (PC) is incremented.		
JB1	L	Jump when bit 1 of ACC is "1"		
Machine Code:		<table border="1"> <tr> <td>1 0 0 1 0 L10 L9 L8</td> <td>L7 L6 L5 L4 L3 L2 L1 L0</td> </tr> </table>	1 0 0 1 0 L10 L9 L8	L7 L6 L5 L4 L3 L2 L1 L0
1 0 0 1 0 L10 L9 L8	L7 L6 L5 L4 L3 L2 L1 L0			
Machine Cycle:		1		
Operation:		PC10–PC0 ← L10–L0; if ACC.1 = "1"		
Description:		If bit 1 of the ACC is "1," PC10 to PC0 of the program counter are replaced with the data specified by L10 to L0 and a jump occurs. If bit 1 of the ACC is "0," the program counter (PC) is incremented.		



Instruction Set Table 2, continued

JB2	L	Jump when bit 2 of ACC is "1"															
Machine Code:	<table border="1" style="display: inline-table; vertical-align: middle;"> <tr> <td>1</td><td>0</td><td>1</td><td>0</td><td>0</td><td>L10</td><td>L9</td><td>L8</td> </tr> </table> <table border="1" style="display: inline-table; vertical-align: middle; margin-left: 20px;"> <tr> <td>L7</td><td>L6</td><td>L5</td><td>L4</td><td>L3</td><td>L2</td><td>L1</td><td>L0</td> </tr> </table>	1	0	1	0	0	L10	L9	L8	L7	L6	L5	L4	L3	L2	L1	L0
1	0	1	0	0	L10	L9	L8										
L7	L6	L5	L4	L3	L2	L1	L0										
Machine Cycle:	1																
Operation:	PC10–PC0 ← L10–L0; if ACC.2 = "1"																
Description:	If bit 2 of the ACC is "1," PC10 to PC0 of the program counter are replaced with the data specified by L10 to L0 and a jump occurs. If bit 2 of the ACC is "0," the program counter (PC) is incremented.																
JB3	L	Jump when bit 3 of ACC is "1"															
Machine Code:	<table border="1" style="display: inline-table; vertical-align: middle;"> <tr> <td>1</td><td>0</td><td>1</td><td>1</td><td>0</td><td>L10</td><td>L9</td><td>L8</td> </tr> </table> <table border="1" style="display: inline-table; vertical-align: middle; margin-left: 20px;"> <tr> <td>L7</td><td>L6</td><td>L5</td><td>L4</td><td>L3</td><td>L2</td><td>L1</td><td>L0</td> </tr> </table>	1	0	1	1	0	L10	L9	L8	L7	L6	L5	L4	L3	L2	L1	L0
1	0	1	1	0	L10	L9	L8										
L7	L6	L5	L4	L3	L2	L1	L0										
Machine Cycle:	1																
Operation:	PC10–PC0 ← L10–L0; if ACC.3 = "1"																
Description:	If bit 3 of the ACC is "1," PC10 to PC0 of the program counter are replaced with the data specified by L10 to L0 and a jump occurs. If bit 3 of the ACC is "0," the program counter (PC) is incremented.																
JC	L	Jump when CF is "1"															
Machine Code:	<table border="1" style="display: inline-table; vertical-align: middle;"> <tr> <td>1</td><td>1</td><td>1</td><td>1</td><td>0</td><td>L10</td><td>L9</td><td>L8</td> </tr> </table> <table border="1" style="display: inline-table; vertical-align: middle; margin-left: 20px;"> <tr> <td>L7</td><td>L6</td><td>L5</td><td>L4</td><td>L3</td><td>L2</td><td>L1</td><td>L0</td> </tr> </table>	1	1	1	1	0	L10	L9	L8	L7	L6	L5	L4	L3	L2	L1	L0
1	1	1	1	0	L10	L9	L8										
L7	L6	L5	L4	L3	L2	L1	L0										
Machine Cycle:	1																
Operation:	PC10–PC0 ← L10–L0; if CF = "1"																
Description:	If CF is "1," PC10 to PC0 of the program counter are replaced with the data specified by L10 to L0 and a jump occurs. If the CF is "0," the program counter (PC) is incremented.																



Instruction Set Table 2, continued

JMP L	Jump absolutely		
Machine Code:	<table border="1"> <tr> <td>0 1 1 1 0 L10 L9 L8</td> <td>L7 L6 L5 L4 L3 L2 L1 L0</td> </tr> </table>	0 1 1 1 0 L10 L9 L8	L7 L6 L5 L4 L3 L2 L1 L0
0 1 1 1 0 L10 L9 L8	L7 L6 L5 L4 L3 L2 L1 L0		
Machine Cycle:	1		
Operation:	PC10-PC0 ← L10-L0		
Description:	PC10 to PC0 of the program counter are replaced with the data specified by L10 to L0 and an unconditional jump occurs.		
JNC L	Jump when CF is not "1"		
Machine Code:	<table border="1"> <tr> <td>1 1 0 1 0 L10 L9 L8</td> <td>L7 L6 L5 L4 L3 L2 L1 L0</td> </tr> </table>	1 1 0 1 0 L10 L9 L8	L7 L6 L5 L4 L3 L2 L1 L0
1 1 0 1 0 L10 L9 L8	L7 L6 L5 L4 L3 L2 L1 L0		
Machine Cycle:	1		
Operation:	PC10-PC0 ← L10-L0; if CF = "0"		
Description:	If CF is "0," PC10 to PC0 of the program counter are replaced with the data specified by L10 to L0 and a jump occurs. If CF is "1," the program counter (PC) is incremented.		
JNZ L	Jump when ACC is not zero		
Machine Code:	<table border="1"> <tr> <td>1 1 0 0 0 L10 L9 L8</td> <td>L7 L6 L5 L4 L3 L2 L1 L0</td> </tr> </table>	1 1 0 0 0 L10 L9 L8	L7 L6 L5 L4 L3 L2 L1 L0
1 1 0 0 0 L10 L9 L8	L7 L6 L5 L4 L3 L2 L1 L0		
Machine Cycle:	1		
Operation:	PC10-PC0 ← L10-L0; if ACC != 0		
Description:	If the ACC is not zero, PC10 to PC0 of the program counter are replaced with the data specified by L10 to L0 and a jump occurs. If the ACC is zero, the program counter (PC) is incremented.		



Instruction Set Table 2, continued

JZ	L	Jump when ACC is zero		
Machine Code:		<table border="1"> <tr> <td>1 1 1 0 0 L10 L9 L8</td> <td>L7 L6 L5 L4 L3 L2 L1 L0</td> </tr> </table>	1 1 1 0 0 L10 L9 L8	L7 L6 L5 L4 L3 L2 L1 L0
1 1 1 0 0 L10 L9 L8	L7 L6 L5 L4 L3 L2 L1 L0			
Machine Cycle:		1		
Operation:		PC10–PC0 ← L10–L0; if ACC = 0		
Description:		If the ACC is zero, PC10 to PC0 of the program counter are replaced with the data specified by L10 to L0 and a jump occurs. If the ACC is not zero, the program counter (PC) is incremented.		
LCDON		LCD ON		
Machine Code:		<table border="1"> <tr> <td>0 0 0 0 0 0 1 0</td> <td>0 0 0 0 0 0 0 0</td> </tr> </table>	0 0 0 0 0 0 1 0	0 0 0 0 0 0 0 0
0 0 0 0 0 0 1 0	0 0 0 0 0 0 0 0			
Machine Cycle:		1		
Operation:		LCD ON		
Description:		Turn on LCD display.		
LCDOFF		LCD OFF		
Machine Code:		<table border="1"> <tr> <td>0 0 0 0 0 0 1 0</td> <td>1 0 0 0 0 0 0 0</td> </tr> </table>	0 0 0 0 0 0 1 0	1 0 0 0 0 0 0 0
0 0 0 0 0 0 1 0	1 0 0 0 0 0 0 0			
Machine Cycle:		1		
Operation:		LCD OFF		
Description:		Turn off LCD display.		



Instruction Set Table 2, continued

MOV ACC, R	Move R content to ACC																
Machine Code:	<table border="1" style="display: inline-table; margin-right: 20px;"> <tr> <td>0</td><td>1</td><td>0</td><td>0</td><td>1</td><td>1</td><td>1</td><td>0</td> </tr> </table> <table border="1" style="display: inline-table;"> <tr> <td>1</td><td>R6</td><td>R5</td><td>R4</td><td>R3</td><td>R2</td><td>R1</td><td>R0</td> </tr> </table>	0	1	0	0	1	1	1	0	1	R6	R5	R4	R3	R2	R1	R0
0	1	0	0	1	1	1	0										
1	R6	R5	R4	R3	R2	R1	R0										
Machine Cycle:	1																
Operation:	ACC ← (R)																
Description:	The contents of the data memory location addressed by R6 to R0 are loaded into the ACC.																
Flag Affected:	ZF																
MOV CF, R	Move R.0 content to CF																
Machine Code:	<table border="1" style="display: inline-table; margin-right: 20px;"> <tr> <td>0</td><td>1</td><td>0</td><td>1</td><td>1</td><td>0</td><td>0</td><td>0</td> </tr> </table> <table border="1" style="display: inline-table;"> <tr> <td>0</td><td>R6</td><td>R5</td><td>R4</td><td>R3</td><td>R2</td><td>R1</td><td>R0</td> </tr> </table>	0	1	0	1	1	0	0	0	0	R6	R5	R4	R3	R2	R1	R0
0	1	0	1	1	0	0	0										
0	R6	R5	R4	R3	R2	R1	R0										
Machine Cycle:	1																
Operation:	CF ← (R.0)																
Description:	The bit 0 content of the data memory location addressed by R6 to R0 is loaded into CF.																
Flag Affected:	CF																



Instruction Set Table 2, continued

MOV HEF, #I	Set/Reset Hold mode release Enable Flag																
Machine Code:	<table border="1" style="display: inline-table; margin-right: 20px;"> <tr> <td>0</td><td>1</td><td>0</td><td>0</td><td>0</td><td>0</td><td>0</td><td>1</td> </tr> </table> <table border="1" style="display: inline-table;"> <tr> <td>17</td><td>16</td><td>15</td><td>14</td><td>13</td><td>12</td><td>11</td><td>10</td> </tr> </table>	0	1	0	0	0	0	0	1	17	16	15	14	13	12	11	10
0	1	0	0	0	0	0	1										
17	16	15	14	13	12	11	10										
Machine Cycle:	1																
Operation:	Hold mode release enable flag control																
Description:	<table border="1"> <thead> <tr> <th>I0 to I7</th> <th>Operation</th> </tr> </thead> <tbody> <tr> <td>I0 = 1</td> <td>HEF0 is set so that overflow from Divider 0 will cause the HOLD mode to be released.</td> </tr> <tr> <td>I1 = 1</td> <td>HEF1 is set so that underflow from Timer 0 will cause the HOLD mode to be released.</td> </tr> <tr> <td>I2 = 1</td> <td>HEF2 is set so that signal change on port RC will cause the HOLD mode to be released.</td> </tr> <tr> <td>I3 = 1</td> <td>Reserved</td> </tr> <tr> <td>I4 = 1</td> <td>HEF4 is set so that the falling edge signal on the INT pin will cause the HOLD mode to be released.</td> </tr> <tr> <td>I5 & I6</td> <td>Reserved</td> </tr> <tr> <td>I7 = 1</td> <td>HEF7 is set so that underflow from Timer 1 will cause the HOLD mode to be released.</td> </tr> </tbody> </table>	I0 to I7	Operation	I0 = 1	HEF0 is set so that overflow from Divider 0 will cause the HOLD mode to be released.	I1 = 1	HEF1 is set so that underflow from Timer 0 will cause the HOLD mode to be released.	I2 = 1	HEF2 is set so that signal change on port RC will cause the HOLD mode to be released.	I3 = 1	Reserved	I4 = 1	HEF4 is set so that the falling edge signal on the INT pin will cause the HOLD mode to be released.	I5 & I6	Reserved	I7 = 1	HEF7 is set so that underflow from Timer 1 will cause the HOLD mode to be released.
I0 to I7	Operation																
I0 = 1	HEF0 is set so that overflow from Divider 0 will cause the HOLD mode to be released.																
I1 = 1	HEF1 is set so that underflow from Timer 0 will cause the HOLD mode to be released.																
I2 = 1	HEF2 is set so that signal change on port RC will cause the HOLD mode to be released.																
I3 = 1	Reserved																
I4 = 1	HEF4 is set so that the falling edge signal on the INT pin will cause the HOLD mode to be released.																
I5 & I6	Reserved																
I7 = 1	HEF7 is set so that underflow from Timer 1 will cause the HOLD mode to be released.																



Instruction Set Table 2, continued

MOV	IEF, #I	Set/Reset Interrupt Enable Flag																
Machine Code:		<table border="1"> <tr> <td>0 1 0 1 0 0 0 1</td> <td>17 16 15 14 13 12 11 10</td> </tr> </table>	0 1 0 1 0 0 0 1	17 16 15 14 13 12 11 10														
0 1 0 1 0 0 0 1	17 16 15 14 13 12 11 10																	
Machine Cycle:		1																
Operation:		Interrupt Enable flag Control																
Description:		<p>The interrupt enable flag corresponding to the data specified by I7–I0 is controlled:</p> <table border="1"> <thead> <tr> <th>I0 to I5</th> <th>Operation</th> </tr> </thead> <tbody> <tr> <td>I0 = 1</td> <td>The IEF0 is set so that interrupt 0 (overflow from Divider 0) is accepted.</td> </tr> <tr> <td>I1 = 1</td> <td>The IEF1 is set so that interrupt 1 (underflow from Timer 0) is accepted.</td> </tr> <tr> <td>I2 = 1</td> <td>The IEF2 is set so that interrupt 2 (signal change on port RC) is accepted.</td> </tr> <tr> <td>I3 = 1</td> <td>Reserved</td> </tr> <tr> <td>I4 = 1</td> <td>The IEF4 is set so that interrupt 4 (falling edge signal on the INT pin) is accepted.</td> </tr> <tr> <td>I5 & I6</td> <td>Reserved</td> </tr> <tr> <td>I7 = 1</td> <td>The IEF7 is set so that interrupt 7 (underflow from Timer 1) is accepted.</td> </tr> </tbody> </table>	I0 to I5	Operation	I0 = 1	The IEF0 is set so that interrupt 0 (overflow from Divider 0) is accepted.	I1 = 1	The IEF1 is set so that interrupt 1 (underflow from Timer 0) is accepted.	I2 = 1	The IEF2 is set so that interrupt 2 (signal change on port RC) is accepted.	I3 = 1	Reserved	I4 = 1	The IEF4 is set so that interrupt 4 (falling edge signal on the INT pin) is accepted.	I5 & I6	Reserved	I7 = 1	The IEF7 is set so that interrupt 7 (underflow from Timer 1) is accepted.
I0 to I5	Operation																	
I0 = 1	The IEF0 is set so that interrupt 0 (overflow from Divider 0) is accepted.																	
I1 = 1	The IEF1 is set so that interrupt 1 (underflow from Timer 0) is accepted.																	
I2 = 1	The IEF2 is set so that interrupt 2 (signal change on port RC) is accepted.																	
I3 = 1	Reserved																	
I4 = 1	The IEF4 is set so that interrupt 4 (falling edge signal on the INT pin) is accepted.																	
I5 & I6	Reserved																	
I7 = 1	The IEF7 is set so that interrupt 7 (underflow from Timer 1) is accepted.																	
MOV	LCDM, #I	Select LCD output Mode type																
Machine Code:		<table border="1"> <tr> <td>0 0 0 0 0 0 1 1</td> <td>0 0 15 14 13 12 11 10</td> </tr> </table>	0 0 0 0 0 0 1 1	0 0 15 14 13 12 11 10														
0 0 0 0 0 0 1 1	0 0 15 14 13 12 11 10																	
Machine Cycle:		1																
Operation:		Select LCD output mode type																
Description:		<p>When LCD output pins are set to DC output mode, user can select CMOS or NMOS as output type.</p> <p>I0–I5 = 0 => CMOS type; I0–I5 = 1 => NMOS type</p>																



Instruction Set Table 2, continued

MOV LCDR, ACC	Move ACC content to LCDR		
Machine Code:	<table border="1"> <tr> <td>0 0 0 0 0 1 1 D4</td> <td>D3 D2 D1 D0 0 0 0 0</td> </tr> </table>	0 0 0 0 0 1 1 D4	D3 D2 D1 D0 0 0 0 0
0 0 0 0 0 1 1 D4	D3 D2 D1 D0 0 0 0 0		
Machine Cycle:	1		
Operation:	LCDR ← (ACC)		
Description:	The contents of the ACC are loaded to the LCD data RAM (LCDR) location addressed by D4 to D0.		
MOV LCDR, WR	Load WR content to LCDR		
Machine Code:	<table border="1"> <tr> <td>0 1 0 0 0 1 0 D4</td> <td>D3 D2 D1 D0 W3 W2 W1 W0</td> </tr> </table>	0 1 0 0 0 1 0 D4	D3 D2 D1 D0 W3 W2 W1 W0
0 1 0 0 0 1 0 D4	D3 D2 D1 D0 W3 W2 W1 W0		
Machine Cycle:	1		
Operation:	LCDR ← (WR)		
Description:	The contents of the WR are loaded to the LCD data RAM (LCDR) location addressed by D4 to D0.		
MOV LCDR, #I	Load immediate data to LCDR		
Machine Code:	<table border="1"> <tr> <td>0 0 0 0 0 1 0 D4</td> <td>D3 D2 D1 D0 I3 I2 I1 I0</td> </tr> </table>	0 0 0 0 0 1 0 D4	D3 D2 D1 D0 I3 I2 I1 I0
0 0 0 0 0 1 0 D4	D3 D2 D1 D0 I3 I2 I1 I0		
Machine Cycle:	1		
Operation:	LCDR ← I		
Description:	The immediate data I are loaded to the LCD data RAM (LCDR) location addressed by D4 to D0.		



Instruction Set Table 2, continued

MOV MFP, #I	Modulation Frequency Pulse generator																													
Machine Code:	<table border="1"> <tr> <td>0</td><td>0</td><td>0</td><td>1</td><td>0</td><td>0</td><td>1</td><td>0</td> <td>17</td><td>16</td><td>15</td><td>14</td><td>13</td><td>12</td><td>11</td><td>10</td> </tr> </table>	0	0	0	1	0	0	1	0	17	16	15	14	13	12	11	10													
0	0	0	1	0	0	1	0	17	16	15	14	13	12	11	10															
Machine Cycle:	1																													
Operation:	[MFP] ← I																													
Description:	<p>If the bit 2 of MR1 is "0," the waveform specified by I7 to I0 is delivered at the MFP output pin (MFP). The relationship between the waveform and immediate data I is as follows:</p> <table border="1"> <tr> <td>I5~I0</td> <td>I0 = 1</td> <td>I1 = 1</td> <td>I2 = 1</td> <td>I3 = 1</td> <td>I4 = 1</td> <td>I5 = 1</td> </tr> <tr> <td>Signal</td> <td>$\frac{F_{osc}}{256}$</td> <td>$\frac{F_{osc}}{512}$</td> <td>$\frac{F_{osc}}{4096}$</td> <td>$\frac{F_{osc}}{8192}$</td> <td>$\frac{F_{osc}}{16384}$</td> <td>$\frac{F_{osc}}{32768}$</td> </tr> </table> <table border="1"> <tr> <td>I7</td> <td>I6</td> <td>Signal</td> </tr> <tr> <td>0</td> <td>0</td> <td>Low</td> </tr> <tr> <td>0</td> <td>1</td> <td>High</td> </tr> <tr> <td>1</td> <td>0</td> <td>Fosc/16</td> </tr> <tr> <td>1</td> <td>1</td> <td>Fosc/8</td> </tr> </table>	I5~I0	I0 = 1	I1 = 1	I2 = 1	I3 = 1	I4 = 1	I5 = 1	Signal	$\frac{F_{osc}}{256}$	$\frac{F_{osc}}{512}$	$\frac{F_{osc}}{4096}$	$\frac{F_{osc}}{8192}$	$\frac{F_{osc}}{16384}$	$\frac{F_{osc}}{32768}$	I7	I6	Signal	0	0	Low	0	1	High	1	0	Fosc/16	1	1	Fosc/8
I5~I0	I0 = 1	I1 = 1	I2 = 1	I3 = 1	I4 = 1	I5 = 1																								
Signal	$\frac{F_{osc}}{256}$	$\frac{F_{osc}}{512}$	$\frac{F_{osc}}{4096}$	$\frac{F_{osc}}{8192}$	$\frac{F_{osc}}{16384}$	$\frac{F_{osc}}{32768}$																								
I7	I6	Signal																												
0	0	Low																												
0	1	High																												
1	0	Fosc/16																												
1	1	Fosc/8																												
MOV MR0, #I	Load immediate data to Mode Register 0 (MR0)																													
Machine Code:	<table border="1"> <tr> <td>0</td><td>0</td><td>0</td><td>1</td><td>0</td><td>0</td><td>1</td><td>1</td> <td>1</td><td>0</td><td>0</td><td>0</td><td>13</td><td>12</td><td>11</td><td>10</td> </tr> </table>	0	0	0	1	0	0	1	1	1	0	0	0	13	12	11	10													
0	0	0	1	0	0	1	1	1	0	0	0	13	12	11	10															
Machine Cycle:	1																													
Operation:	MR0 ← I																													
Description:	<p>The immediate data I are loaded to the MR0.</p> <p>MR0 bits description:</p> <table border="1"> <tr> <td>bit 0</td> <td>= 0 The fundamental frequency of Timer 0 is Fosc/4 = 1 The fundamental frequency of Timer 0 is Fosc/1024</td> </tr> <tr> <td>bit 1</td> <td>Reserved</td> </tr> <tr> <td>bit 2</td> <td>Reserved</td> </tr> <tr> <td>bit 3</td> <td>= 0 Timer 0 stop down-counting = 1 Timer 0 start down-counting</td> </tr> </table>	bit 0	= 0 The fundamental frequency of Timer 0 is Fosc/4 = 1 The fundamental frequency of Timer 0 is Fosc/1024	bit 1	Reserved	bit 2	Reserved	bit 3	= 0 Timer 0 stop down-counting = 1 Timer 0 start down-counting																					
bit 0	= 0 The fundamental frequency of Timer 0 is Fosc/4 = 1 The fundamental frequency of Timer 0 is Fosc/1024																													
bit 1	Reserved																													
bit 2	Reserved																													
bit 3	= 0 Timer 0 stop down-counting = 1 Timer 0 start down-counting																													



Instruction Set Table 2, continued

MOV MR1, #I	Load immediate data to Mode Register 1 (MR1)								
Machine Code:	<table border="1"> <tr> <td>0 0 0 1 0 0 1 1</td> <td>0 0 0 0 13 12 11 10</td> </tr> </table>	0 0 0 1 0 0 1 1	0 0 0 0 13 12 11 10						
0 0 0 1 0 0 1 1	0 0 0 0 13 12 11 10								
Machine Cycle:	1								
Operation:	MR1 ← I								
Description:	<p>The immediate data I are loaded to the MR1.</p> <p>MR1 bit description:</p> <table border="1"> <tr> <td>bit0</td> <td>= 0 The internal fundamental frequency of Timer 1 is Fosc = 1 The internal fundamental frequency of Timer 1 is Fosc/64</td> </tr> <tr> <td>bit1</td> <td>= 0 The fundamental frequency source of Timer 1 is internal clock = 1 The fundamental frequency source of Timer 1 is external clock via RC.0 input pin</td> </tr> <tr> <td>bit2</td> <td>= 0 The specified waveform of the MFP generator is delivered at the MFP output pin = 1 The specified frequency of the Timer 1 is delivered at the MFP output pin</td> </tr> <tr> <td>bit3</td> <td>= 0 Timer 1 stop down-counting = 1 Timer 1 start down-counting</td> </tr> </table>	bit0	= 0 The internal fundamental frequency of Timer 1 is Fosc = 1 The internal fundamental frequency of Timer 1 is Fosc/64	bit1	= 0 The fundamental frequency source of Timer 1 is internal clock = 1 The fundamental frequency source of Timer 1 is external clock via RC.0 input pin	bit2	= 0 The specified waveform of the MFP generator is delivered at the MFP output pin = 1 The specified frequency of the Timer 1 is delivered at the MFP output pin	bit3	= 0 Timer 1 stop down-counting = 1 Timer 1 start down-counting
bit0	= 0 The internal fundamental frequency of Timer 1 is Fosc = 1 The internal fundamental frequency of Timer 1 is Fosc/64								
bit1	= 0 The fundamental frequency source of Timer 1 is internal clock = 1 The fundamental frequency source of Timer 1 is external clock via RC.0 input pin								
bit2	= 0 The specified waveform of the MFP generator is delivered at the MFP output pin = 1 The specified frequency of the Timer 1 is delivered at the MFP output pin								
bit3	= 0 Timer 1 stop down-counting = 1 Timer 1 start down-counting								
MOV PAGE, #I	Load immediate data to Page Register								
Machine Code:	<table border="1"> <tr> <td>0 1 0 1 0 1 1 0</td> <td>1 0 0 0 13 12 11 10</td> </tr> </table>	0 1 0 1 0 1 1 0	1 0 0 0 13 12 11 10						
0 1 0 1 0 1 1 0	1 0 0 0 13 12 11 10								
Machine Cycle:	1								
Operation:	Page Register ← I								
Description:	<p>The immediate data I are loaded to the PR.</p> <p>Bit 3 is reserved.</p> <p>Bit 0, bit 1, and bit 2 indirect addressing mode preselect bits:</p>								



Instruction Set Table 2, continued

	<table border="1"> <tr> <th>bit2</th> <th>bit1</th> <th>bit0</th> <th></th> </tr> <tr> <td>0</td> <td>0</td> <td>0</td> <td>= Page 0 (00H to 0FH)</td> </tr> <tr> <td>0</td> <td>0</td> <td>1</td> <td>= Page 1 (10H to 1FH)</td> </tr> <tr> <td>0</td> <td>1</td> <td>0</td> <td>= Page 2 (20H to 2FH)</td> </tr> <tr> <td>0</td> <td>1</td> <td>1</td> <td>= Page 3 (30H to 3FH)</td> </tr> <tr> <td>1</td> <td>0</td> <td>0</td> <td>= Page 4 (40H to 4FH)</td> </tr> <tr> <td>1</td> <td>0</td> <td>1</td> <td>= Page 5 (50H to 5FH)</td> </tr> <tr> <td>1</td> <td>1</td> <td>0</td> <td>= Page 6 (60H to 6FH)</td> </tr> <tr> <td>1</td> <td>1</td> <td>1</td> <td>= Page 7 (70H to 7FH)</td> </tr> </table>	bit2	bit1	bit0		0	0	0	= Page 0 (00H to 0FH)	0	0	1	= Page 1 (10H to 1FH)	0	1	0	= Page 2 (20H to 2FH)	0	1	1	= Page 3 (30H to 3FH)	1	0	0	= Page 4 (40H to 4FH)	1	0	1	= Page 5 (50H to 5FH)	1	1	0	= Page 6 (60H to 6FH)	1	1	1	= Page 7 (70H to 7FH)
bit2	bit1	bit0																																			
0	0	0	= Page 0 (00H to 0FH)																																		
0	0	1	= Page 1 (10H to 1FH)																																		
0	1	0	= Page 2 (20H to 2FH)																																		
0	1	1	= Page 3 (30H to 3FH)																																		
1	0	0	= Page 4 (40H to 4FH)																																		
1	0	1	= Page 5 (50H to 5FH)																																		
1	1	0	= Page 6 (60H to 6FH)																																		
1	1	1	= Page 7 (70H to 7FH)																																		
MOV PEF, #I	Set/Reset Port Enable Flag																																				
Machine Code:	<table border="1"> <tr> <td>0 1 0 0 0 0 1 1</td> <td>0 0 0 0 I3 I2 I1 I0</td> </tr> </table>	0 1 0 0 0 0 1 1	0 0 0 0 I3 I2 I1 I0																																		
0 1 0 0 0 0 1 1	0 0 0 0 I3 I2 I1 I0																																				
Machine Cycle:	1																																				
Operation:	Port enable flag control																																				
Description:	<p>The data specified by I can cause HOLD mode to be released or an interrupt to occur. The signal change on port RC is specified.</p> <table border="1"> <thead> <tr> <th>I0 to I3</th> <th>Signal change at port RC</th> </tr> </thead> <tbody> <tr> <td>I0 = 1</td> <td>RC0</td> </tr> <tr> <td>I1 = 1</td> <td>RC1</td> </tr> <tr> <td>I2 = 1</td> <td>RC2</td> </tr> <tr> <td>I3 = 1</td> <td>RC3</td> </tr> </tbody> </table>	I0 to I3	Signal change at port RC	I0 = 1	RC0	I1 = 1	RC1	I2 = 1	RC2	I3 = 1	RC3																										
I0 to I3	Signal change at port RC																																				
I0 = 1	RC0																																				
I1 = 1	RC1																																				
I2 = 1	RC2																																				
I3 = 1	RC3																																				



Instruction Set Table 2, continued

MOV PM0, #I	Set/Reset Port Mode 0 register																
Machine Code:	<table border="1" style="display: inline-table; margin-right: 20px;"> <tr> <td>0</td><td>1</td><td>0</td><td>1</td><td>0</td><td>0</td><td>1</td><td>1</td> </tr> </table> <table border="1" style="display: inline-table;"> <tr> <td>0</td><td>0</td><td>0</td><td>0</td><td>I3</td><td>I2</td><td>I1</td><td>I0</td> </tr> </table>	0	1	0	1	0	0	1	1	0	0	0	0	I3	I2	I1	I0
0	1	0	1	0	0	1	1										
0	0	0	0	I3	I2	I1	I0										
Machine Cycle:	1																
Operation:	Set/Reset Port mode 0 register																
Description:	<p>I0 = 0: RA port is CMOS type; I0 = 1: RA port is NMOS type. I1 = 0: RB port is CMOS type; I1 = 1: RB port is NMOS type. I2 = 0: RC port pull-high resistor is disabled; I2 = 1: RC port pull-high resistor is enabled. I3 = 0: RD port pull-high resistor is disabled; I3 = 1: RD port pull-high resistor is enabled.</p>																
MOV PM1, #I	RA port independent Input/Output control																
Machine Code:	<table border="1" style="display: inline-table; margin-right: 20px;"> <tr> <td>0</td><td>1</td><td>0</td><td>1</td><td>0</td><td>1</td><td>1</td><td>1</td> </tr> </table> <table border="1" style="display: inline-table;"> <tr> <td>0</td><td>0</td><td>0</td><td>0</td><td>I3</td><td>I2</td><td>I1</td><td>I0</td> </tr> </table>	0	1	0	1	0	1	1	1	0	0	0	0	I3	I2	I1	I0
0	1	0	1	0	1	1	1										
0	0	0	0	I3	I2	I1	I0										
Machine Cycle:	1																
Operation:	Input/output control of 4 RA port pins is independent.																
Description:	<p>I0 = 0: RA.0 is output pin; I0 = 1: RA.0 is input pin. I1 = 0: RA.1 is output pin; I1 = 1: RA.1 is input pin. I2 = 0: RA.2 is output pin; I2 = 1: RA.2 is input pin. I3 = 0: RA.3 is output pin; I3 = 1: RA.3 is input pin. Default condition RA port is input mode (PM1 = 1111B).</p>																



Instruction Set Table 2, continued

MOV PM2, #I	RB port independent Input/Output control																
Machine Code:	<table border="1" style="display: inline-table; margin-right: 20px;"> <tr> <td>0</td><td>1</td><td>0</td><td>1</td><td>0</td><td>1</td><td>1</td><td>1</td> </tr> </table> <table border="1" style="display: inline-table;"> <tr> <td>1</td><td>0</td><td>0</td><td>0</td><td>I3</td><td>I2</td><td>I1</td><td>I0</td> </tr> </table>	0	1	0	1	0	1	1	1	1	0	0	0	I3	I2	I1	I0
0	1	0	1	0	1	1	1										
1	0	0	0	I3	I2	I1	I0										
Machine Cycle:	1																
Operation:	Input/output control of 4 RB port pins is independent.																
Description:	I0 = 0: RB.0 is output pin; I0 = 1: RB.0 is input pin. I1 = 0: RB.1 is output pin; I1 = 1: RB.1 is input pin. I2 = 0: RB.2 is output pin; I2 = 1: RB.2 is input pin. I3 = 0: RB.3 is output pin; I3 = 1: RB.3 is input pin. Default condition RB port is input mode (PM2 = 1111B).																
MOV R, ACC	Move ACC content to R																
Machine Code:	<table border="1" style="display: inline-table; margin-right: 20px;"> <tr> <td>0</td><td>1</td><td>0</td><td>1</td><td>1</td><td>0</td><td>0</td><td>1</td> </tr> </table> <table border="1" style="display: inline-table;"> <tr> <td>1</td><td>R6</td><td>R5</td><td>R4</td><td>R3</td><td>R2</td><td>R1</td><td>R0</td> </tr> </table>	0	1	0	1	1	0	0	1	1	R6	R5	R4	R3	R2	R1	R0
0	1	0	1	1	0	0	1										
1	R6	R5	R4	R3	R2	R1	R0										
Machine Cycle:	1																
Operation:	$R \leftarrow (ACC)$																
Description:	The contents of the ACC are loaded to the data memory location addressed by R6 to R0.																
MOVA R, RA	Input RA port data to ACC & R																
Machine Code:	<table border="1" style="display: inline-table; margin-right: 20px;"> <tr> <td>0</td><td>1</td><td>0</td><td>1</td><td>1</td><td>0</td><td>1</td><td>1</td> </tr> </table> <table border="1" style="display: inline-table;"> <tr> <td>0</td><td>R6</td><td>R5</td><td>R4</td><td>R3</td><td>R2</td><td>R1</td><td>R0</td> </tr> </table>	0	1	0	1	1	0	1	1	0	R6	R5	R4	R3	R2	R1	R0
0	1	0	1	1	0	1	1										
0	R6	R5	R4	R3	R2	R1	R0										
Machine Cycle:	1																
Operation:	$ACC, R \leftarrow [RA]$																
Description:	The data on port RA are loaded into the data memory location addressed by R6 to R0 and the ACC.																
Flag Affected:	ZF																



Instruction Set Table 2, continued

MOVA R, RB	Input RB port data to ACC & R																
Machine Code:	<table border="1" style="display: inline-table; margin-right: 20px;"> <tr> <td>0</td><td>1</td><td>0</td><td>1</td><td>1</td><td>0</td><td>1</td><td>1</td> </tr> </table> <table border="1" style="display: inline-table;"> <tr> <td>1</td><td>R6</td><td>R5</td><td>R4</td><td>R3</td><td>R2</td><td>R1</td><td>R0</td> </tr> </table>	0	1	0	1	1	0	1	1	1	R6	R5	R4	R3	R2	R1	R0
0	1	0	1	1	0	1	1										
1	R6	R5	R4	R3	R2	R1	R0										
Machine Cycle:	1																
Operation:	ACC , R ← [RB]																
Description:	The data on port RB are loaded into the data memory location addressed by R6 to R0 and the ACC.																
Flag Affected:	ZF																
MOVA R, RC	Input RC port data to ACC & R																
Machine Code:	<table border="1" style="display: inline-table; margin-right: 20px;"> <tr> <td>0</td><td>1</td><td>0</td><td>0</td><td>1</td><td>0</td><td>1</td><td>1</td> </tr> </table> <table border="1" style="display: inline-table;"> <tr> <td>0</td><td>R6</td><td>R5</td><td>R4</td><td>R3</td><td>R2</td><td>R1</td><td>R0</td> </tr> </table>	0	1	0	0	1	0	1	1	0	R6	R5	R4	R3	R2	R1	R0
0	1	0	0	1	0	1	1										
0	R6	R5	R4	R3	R2	R1	R0										
Machine Cycle:	1																
Operation:	ACC , R ← [RC]																
Description:	The input data on input port RC are loaded into the data memory location addressed by R6 to R0 and the ACC.																
Flag Affected:	ZF																
MOVA R, RD	Input RD port data to ACC & R																
Machine Code:	<table border="1" style="display: inline-table; margin-right: 20px;"> <tr> <td>0</td><td>1</td><td>0</td><td>0</td><td>1</td><td>0</td><td>1</td><td>1</td> </tr> </table> <table border="1" style="display: inline-table;"> <tr> <td>1</td><td>R6</td><td>R5</td><td>R4</td><td>R3</td><td>R2</td><td>R1</td><td>R0</td> </tr> </table>	0	1	0	0	1	0	1	1	1	R6	R5	R4	R3	R2	R1	R0
0	1	0	0	1	0	1	1										
1	R6	R5	R4	R3	R2	R1	R0										
Machine Cycle:	1																
Operation:	ACC , R ← [RD]																
Description:	The input data on input port RD are loaded into the data memory location addressed by R6 to R0 and the ACC.																
Flag Affected:	ZF																



Instruction Set Table 2, continued

MOV R, WR	Move WR content to R		
Machine Code:	<table border="1"> <tr> <td>1 1 1 1 1 W3 W2 W1</td> <td>W0 R6 R5 R4 R3 R2 R1 R0</td> </tr> </table>	1 1 1 1 1 W3 W2 W1	W0 R6 R5 R4 R3 R2 R1 R0
1 1 1 1 1 W3 W2 W1	W0 R6 R5 R4 R3 R2 R1 R0		
Machine Cycle:	1		
Operation:	$R \leftarrow (WR)$		
Description:	The contents of the WR are loaded to the data memory location addressed by R6 to R0.		
MOV R, #I	Load immediate data to R		
Machine Code:	<table border="1"> <tr> <td>1 0 1 1 1 I3 I2 I1</td> <td>I0 R6 R5 R4 R3 R2 R1 R0</td> </tr> </table>	1 0 1 1 1 I3 I2 I1	I0 R6 R5 R4 R3 R2 R1 R0
1 0 1 1 1 I3 I2 I1	I0 R6 R5 R4 R3 R2 R1 R0		
Machine Cycle:	1		
Operation:	$R \leftarrow I$		
Description:	The immediate data I are loaded to the data memory location addressed by R6 to R0.		
MOV RA, R	Output R content to RA port		
Machine Code:	<table border="1"> <tr> <td>0 1 0 1 1 0 1 0</td> <td>0 R6 R5 R4 R3 R2 R1 R0</td> </tr> </table>	0 1 0 1 1 0 1 0	0 R6 R5 R4 R3 R2 R1 R0
0 1 0 1 1 0 1 0	0 R6 R5 R4 R3 R2 R1 R0		
Machine Cycle:	1		
Operation:	$[RA] \leftarrow (R)$		
Description:	The data in the data memory location addressed by R6 to R0 are output to port RA.		



Instruction Set Table 2, continued

MOV RB, R	Output R content to RB port										
Machine Code:	<table border="1"> <tr> <td>0 1 0 1 1 0 1 0</td> <td>1 R6 R5 R4 R3 R2 R1 R0</td> </tr> </table>	0 1 0 1 1 0 1 0	1 R6 R5 R4 R3 R2 R1 R0								
0 1 0 1 1 0 1 0	1 R6 R5 R4 R3 R2 R1 R0										
Machine Cycle:	1										
Operation:	[RB] ← (R)										
Description:	The contents of the data memory location addressed by R6 to R0 are output to port RB.										
MOV RE, R	Output R content to port RE										
Machine Code:	<table border="1"> <tr> <td>0 1 0 1 1 1 1 0</td> <td>0 R6 R5 R4 R3 R2 R1 R0</td> </tr> </table>	0 1 0 1 1 1 1 0	0 R6 R5 R4 R3 R2 R1 R0								
0 1 0 1 1 1 1 0	0 R6 R5 R4 R3 R2 R1 R0										
Machine Cycle:	1										
Operation:	[RE] ← (R)										
Description:	The contents of the data memory location addressed by R6 to R0 are output to port RE.										
MOV SEF, #I	Set/Reset STOP mode wake-up Enable Flag for port RC										
Machine Code:	<table border="1"> <tr> <td>0 1 0 1 0 0 1 0</td> <td>0 0 0 0 I3 I2 I1 I0</td> </tr> </table>	0 1 0 1 0 0 1 0	0 0 0 0 I3 I2 I1 I0								
0 1 0 1 0 0 1 0	0 0 0 0 I3 I2 I1 I0										
Machine Cycle:	1										
Operation:	Set/reset STOP mode wake-up enable flag for port RC										
Description:	<p>The data specified by I cause a wake-up from the STOP mode. The falling-edge signal on port RC can be specified independently.</p> <table border="1"> <thead> <tr> <th>I0 to I3</th> <th>Falling edge signal on port RC</th> </tr> </thead> <tbody> <tr> <td>I0 = 1</td> <td>RC0</td> </tr> <tr> <td>I1 = 1</td> <td>RC1</td> </tr> <tr> <td>I2 = 1</td> <td>RC2</td> </tr> <tr> <td>I3 = 1</td> <td>RC3</td> </tr> </tbody> </table>	I0 to I3	Falling edge signal on port RC	I0 = 1	RC0	I1 = 1	RC1	I2 = 1	RC2	I3 = 1	RC3
I0 to I3	Falling edge signal on port RC										
I0 = 1	RC0										
I1 = 1	RC1										
I2 = 1	RC2										
I3 = 1	RC3										



Instruction Set Table 2, continued

MOV TM0, #I	Timer 0 set		
Machine Code:	<table border="1"> <tr> <td>0 0 0 1 0 0 0 0</td> <td>17 16 15 14 13 12 11 10</td> </tr> </table>	0 0 0 1 0 0 0 0	17 16 15 14 13 12 11 10
0 0 0 1 0 0 0 0	17 16 15 14 13 12 11 10		
Machine Cycle:	1		
Operation:	Timer 0 set		
Description:	The data specified by I7 to I0 is loaded to the Timer 0 to start the timer.		
MOV TM0L, R	Move R contents to TM0L		
Machine Code:	<table border="1"> <tr> <td>0 0 0 1 0 1 0 0</td> <td>0 R6 R5 R4 R3 R2 R1 R0</td> </tr> </table>	0 0 0 1 0 1 0 0	0 R6 R5 R4 R3 R2 R1 R0
0 0 0 1 0 1 0 0	0 R6 R5 R4 R3 R2 R1 R0		
Machine Cycle:	1		
Operation:	TM0L ← (R)		
Description:	The contents of the data memory location addressed by R6 to R0 are loaded into the TM0L.		
MOV TM0H, R	Move R contents to TM0H		
Machine code:	<table border="1"> <tr> <td>0 0 0 1 0 1 0 0</td> <td>1 R6 R5 R4 R3 R2 R1 R0</td> </tr> </table>	0 0 0 1 0 1 0 0	1 R6 R5 R4 R3 R2 R1 R0
0 0 0 1 0 1 0 0	1 R6 R5 R4 R3 R2 R1 R0		
Machine Cycle:	1		
Operation:	TM0H ← (R)		
Description:	The contents of the data memory location addressed by R6 to R0 are loaded into the TM0H.		
MOV TM1, #I	Timer 1 set		
Machine Code:	<table border="1"> <tr> <td>0 0 0 1 0 0 0 1</td> <td>17 16 15 14 13 12 11 10</td> </tr> </table>	0 0 0 1 0 0 0 1	17 16 15 14 13 12 11 10
0 0 0 1 0 0 0 1	17 16 15 14 13 12 11 10		
Machine Cycle:	1		
Operation:	Timer 1 set		
Description:	The data specified by I7 to I0 is loaded to the Timer 1 to start the timer.		



Instruction Set Table 2, continued

MOV TM1L, R	Move R contents to TM1L																
Machine Code:	<table border="1" style="display: inline-table; margin-right: 20px;"> <tr> <td>0</td><td>0</td><td>0</td><td>1</td><td>0</td><td>1</td><td>0</td><td>1</td> </tr> </table> <table border="1" style="display: inline-table;"> <tr> <td>0</td><td>R6</td><td>R5</td><td>R4</td><td>R3</td><td>R2</td><td>R1</td><td>R0</td> </tr> </table>	0	0	0	1	0	1	0	1	0	R6	R5	R4	R3	R2	R1	R0
0	0	0	1	0	1	0	1										
0	R6	R5	R4	R3	R2	R1	R0										
Machine Cycle:	1																
Operation:	TM1L ← (R)																
Description:	The contents of the data memory location addressed by R6 to R0 are loaded into the TM1L.																
MOV TM1H, R	Move R contents to TM1H																
Machine code:	<table border="1" style="display: inline-table; margin-right: 20px;"> <tr> <td>0</td><td>0</td><td>0</td><td>1</td><td>0</td><td>1</td><td>0</td><td>1</td> </tr> </table> <table border="1" style="display: inline-table;"> <tr> <td>1</td><td>R6</td><td>R5</td><td>R4</td><td>R3</td><td>R2</td><td>R1</td><td>R0</td> </tr> </table>	0	0	0	1	0	1	0	1	1	R6	R5	R4	R3	R2	R1	R0
0	0	0	1	0	1	0	1										
1	R6	R5	R4	R3	R2	R1	R0										
Machine Cycle:	1																
Operation:	TM1H ← (R)																
Description:	The contents of the data memory location addressed by R6 to R0 are loaded into the TM1H.																
MOV WR, LCDR	Load LCDR content to WR																
Machine Code:	<table border="1" style="display: inline-table; margin-right: 20px;"> <tr> <td>0</td><td>1</td><td>0</td><td>0</td><td>0</td><td>1</td><td>1</td><td>D4</td> </tr> </table> <table border="1" style="display: inline-table;"> <tr> <td>D3</td><td>D2</td><td>D1</td><td>D0</td><td>W3</td><td>W2</td><td>W1</td><td>W0</td> </tr> </table>	0	1	0	0	0	1	1	D4	D3	D2	D1	D0	W3	W2	W1	W0
0	1	0	0	0	1	1	D4										
D3	D2	D1	D0	W3	W2	W1	W0										
Machine Cycle:	1																
Operation:	WR ← (LCDR)																
Description:	The contents of the LCD data RAM location addressed by D4 to D0 are loaded to the WR.																
MOV WR, R	Move R content to WR																
Machine Code:	<table border="1" style="display: inline-table; margin-right: 20px;"> <tr> <td>1</td><td>1</td><td>1</td><td>0</td><td>1</td><td>W3</td><td>W2</td><td>W1</td> </tr> </table> <table border="1" style="display: inline-table;"> <tr> <td>W0</td><td>R6</td><td>R5</td><td>R4</td><td>R3</td><td>R2</td><td>R1</td><td>R0</td> </tr> </table>	1	1	1	0	1	W3	W2	W1	W0	R6	R5	R4	R3	R2	R1	R0
1	1	1	0	1	W3	W2	W1										
W0	R6	R5	R4	R3	R2	R1	R0										
Machine Cycle:	1																
Operation:	WR ← (R)																
Description:	The contents of the data memory location addressed by R6 to R0 are loaded to the WR.																



Instruction Set Table 2, continued

MOV WR, @R	Indirect load from R to WR		
Machine Code:	<table border="1"> <tr> <td>1 1 0 0 1 W3 W2 W1</td> <td>W0 R6 R5 R4 R3 R2 R1 R0</td> </tr> </table>	1 1 0 0 1 W3 W2 W1	W0 R6 R5 R4 R3 R2 R1 R0
1 1 0 0 1 W3 W2 W1	W0 R6 R5 R4 R3 R2 R1 R0		
Machine Cycle:	2		
Operation:	$WR \leftarrow [PR(\text{bit2}, \text{bit1}, \text{bit0}) \times 10H + (R)]$		
Description:	The data memory contents of address $[PR(\text{bit2}, \text{bit1}, \text{bit0}) \times 10H + (R)]$ are loaded to the WR.		
MOV @R, WR	Indirect load from WR to R		
Machine Code:	<table border="1"> <tr> <td>1 1 0 1 1 W3 W2 W1</td> <td>W0 R6 R5 R4 R3 R2 R1 R0</td> </tr> </table>	1 1 0 1 1 W3 W2 W1	W0 R6 R5 R4 R3 R2 R1 R0
1 1 0 1 1 W3 W2 W1	W0 R6 R5 R4 R3 R2 R1 R0		
Machine Cycle:	2		
Operation:	$[PR(\text{bit2}, \text{bit1}, \text{bit0}) \times 10H + (R)] \leftarrow WR$		
Description:	The contents of the WR are loaded to the data memory location addressed by $[PR(\text{bit2}, \text{bit1}, \text{bit0}) \times 10H + (R)]$.		
MOV PAGE, R	Move R content to Page Register		
Machine Code:	<table border="1"> <tr> <td>0 1 0 1 1 1 1 0</td> <td>1 R6 R5 R4 R3 R2 R1 R0</td> </tr> </table>	0 1 0 1 1 1 1 0	1 R6 R5 R4 R3 R2 R1 R0
0 1 0 1 1 1 1 0	1 R6 R5 R4 R3 R2 R1 R0		
Machine Cycle:	1		
Operation:	$PR \leftarrow (R)$		
Description:	The contents of the data memory location addressed by R6 to R0 are loaded to the PR.		



Instruction Set Table 2, continued

MOVA R, CF	Move CF content to ACC.0 & R.0																
Machine Code:	<table border="1" style="display: inline-table; margin-right: 20px;"> <tr> <td>0</td><td>1</td><td>0</td><td>1</td><td>1</td><td>0</td><td>0</td><td>1</td> </tr> </table> <table border="1" style="display: inline-table;"> <tr> <td>0</td><td>R6</td><td>R5</td><td>R4</td><td>R3</td><td>R2</td><td>R1</td><td>R0</td> </tr> </table>	0	1	0	1	1	0	0	1	0	R6	R5	R4	R3	R2	R1	R0
0	1	0	1	1	0	0	1										
0	R6	R5	R4	R3	R2	R1	R0										
Machine Cycle:	1																
Operation:	ACC.0, R.0 ← (CF)																
Description:	The content of CF is loaded to bit 0 of the data memory location addressed by R6 to R0 and the ACC. The other bits of the data memory and ACC are reset to "0."																
Flag Affected:	ZF																
MOVA R, HCFH	Move HCF4–7 to ACC & R																
Machine Code:	<table border="1" style="display: inline-table; margin-right: 20px;"> <tr> <td>0</td><td>1</td><td>0</td><td>0</td><td>1</td><td>0</td><td>0</td><td>1</td> </tr> </table> <table border="1" style="display: inline-table;"> <tr> <td>1</td><td>R6</td><td>R5</td><td>R4</td><td>R3</td><td>R2</td><td>R1</td><td>R0</td> </tr> </table>	0	1	0	0	1	0	0	1	1	R6	R5	R4	R3	R2	R1	R0
0	1	0	0	1	0	0	1										
1	R6	R5	R4	R3	R2	R1	R0										
Machine Cycle:	1																
Operation:	ACC, R ← HCF4–7																
Description:	<p>The contents of HCF bit 4 to bit 7 (HCF4 to HCF7) are loaded to the data memory location addressed by R6 to R0 and the ACC. The ACC contents and the meaning of the bits after execution of this instruction are as follows:</p> <table border="1" style="width: 100%;"> <tr> <td style="width: 10%;">Bit 0</td> <td>HCF4: "1" when the HOLD mode is released by a falling signal on the INT pin.</td> </tr> <tr> <td>Bit 1</td> <td>HCF5: "1" when the HOLD mode is released by underflow from Timer 1.</td> </tr> <tr> <td>Bit 2</td> <td>Reserved.</td> </tr> <tr> <td>Bit 3</td> <td>Reserved.</td> </tr> </table>	Bit 0	HCF4: "1" when the HOLD mode is released by a falling signal on the INT pin.	Bit 1	HCF5: "1" when the HOLD mode is released by underflow from Timer 1.	Bit 2	Reserved.	Bit 3	Reserved.								
Bit 0	HCF4: "1" when the HOLD mode is released by a falling signal on the INT pin.																
Bit 1	HCF5: "1" when the HOLD mode is released by underflow from Timer 1.																
Bit 2	Reserved.																
Bit 3	Reserved.																
Flag Affected:	ZF																



Instruction Set Table 2, continued

MOVA R, HCFL	Move HCF0–3 to ACC & R								
Machine Code:	<table border="1"> <tr> <td>0 1 0 0 1 0 0 1</td> <td>0 R6 R5 R4 R3 R2 R1 R0</td> </tr> </table>	0 1 0 0 1 0 0 1	0 R6 R5 R4 R3 R2 R1 R0						
0 1 0 0 1 0 0 1	0 R6 R5 R4 R3 R2 R1 R0								
Machine Cycle:	1								
Operation:	ACC, R ← HCF0–3								
Description:	<p>The contents of HCF bit 0 to bit 3 (HCF0 to HCF3) are loaded to the data memory location addressed by R6 to R0 and the ACC. The ACC contents and the meaning of the bits after execution of this instruction are as follows:</p> <table border="1"> <tr> <td>Bit 0</td> <td>HCF0: "1" when the HOLD mode is released by overflow from Divider 0.</td> </tr> <tr> <td>Bit 1</td> <td>HCF1: "1" when the HOLD mode is released by underflow from Timer 0.</td> </tr> <tr> <td>Bit 2</td> <td>HCF2: "1" when the HOLD mode is released by a signal change on port RC.</td> </tr> <tr> <td>Bit 3</td> <td>Reserved</td> </tr> </table>	Bit 0	HCF0: "1" when the HOLD mode is released by overflow from Divider 0.	Bit 1	HCF1: "1" when the HOLD mode is released by underflow from Timer 0.	Bit 2	HCF2: "1" when the HOLD mode is released by a signal change on port RC.	Bit 3	Reserved
Bit 0	HCF0: "1" when the HOLD mode is released by overflow from Divider 0.								
Bit 1	HCF1: "1" when the HOLD mode is released by underflow from Timer 0.								
Bit 2	HCF2: "1" when the HOLD mode is released by a signal change on port RC.								
Bit 3	Reserved								
Flag Affected:	ZF								
MOVA R, PAGE	Move Page Register content to ACC & R								
Machine Code:	<table border="1"> <tr> <td>0 1 0 1 1 1 1 1</td> <td>1 R6 R5 R4 R3 R2 R1 R0</td> </tr> </table>	0 1 0 1 1 1 1 1	1 R6 R5 R4 R3 R2 R1 R0						
0 1 0 1 1 1 1 1	1 R6 R5 R4 R3 R2 R1 R0								
Machine Cycle:	1								
Operation:	ACC , R ← (Page Register)								
Description:	<p>The contents of the Page Register (PR) are loaded to the data memory location addressed by R6 to R0 and the ACC.</p>								
Flag Affected:	ZF								



Instruction Set Table 2, continued

MOVA R, PSR0	Move Port Status Register 0 content to ACC & R		
Machine Code:	<table border="1"> <tr> <td>0 1 0 0 1 1 1 1</td> <td>0 R6 R5 R4 R3 R2 R1 R0</td> </tr> </table>	0 1 0 0 1 1 1 1	0 R6 R5 R4 R3 R2 R1 R0
0 1 0 0 1 1 1 1	0 R6 R5 R4 R3 R2 R1 R0		
Machine Cycle:	1		
Operation:	ACC, R ← RC port signal change flag (PSR0)		
Description:	The contents of the RC port signal change flag (PSR0) are loaded to the data memory location addressed by R6 to R0 and the ACC. When the signal changes on any pin of the RC port, the corresponding signal change flag should be set to 1. Otherwise, it should be 0.		
Flag Affected:	ZF		
MOVA R, WR	Move WR content to ACC & R		
Machine Code:	<table border="1"> <tr> <td>0 1 1 1 1 W3 W2 W1</td> <td>W0 R6 R5 R4 R3 R2 R1 R0</td> </tr> </table>	0 1 1 1 1 W3 W2 W1	W0 R6 R5 R4 R3 R2 R1 R0
0 1 1 1 1 W3 W2 W1	W0 R6 R5 R4 R3 R2 R1 R0		
Machine Cycle:	1		
Operation:	ACC, R ← (WR)		
Description:	The contents of the WR are loaded to the ACC and the data memory location addressed by R6 to R0.		
Flag Affected:	ZF		
MOVA WR, R	Move R content to ACC & WR		
Machine Code:	<table border="1"> <tr> <td>0 1 1 0 1 W3 W2 W1</td> <td>W0 R6 R5 R4 R3 R2 R1 R0</td> </tr> </table>	0 1 1 0 1 W3 W2 W1	W0 R6 R5 R4 R3 R2 R1 R0
0 1 1 0 1 W3 W2 W1	W0 R6 R5 R4 R3 R2 R1 R0		
Machine Cycle:	1		
Operation:	ACC, WR ← (R)		
Description:	The contents of the data memory location addressed by R6 to R0 are loaded to the WR and the ACC.		
Flag Affected:	ZF		



Instruction Set Table 2, continued

MOVC R	Move look-up table ROM addressed by TABL and TABH to R																
Machine code:	<table border="1" style="display: inline-table; margin-right: 20px;"> <tr> <td>1</td><td>0</td><td>0</td><td>1</td><td>1</td><td>0</td><td>0</td><td>1</td> </tr> </table> <table border="1" style="display: inline-table;"> <tr> <td>0</td><td>R6</td><td>R5</td><td>R4</td><td>R3</td><td>R2</td><td>R1</td><td>R0</td> </tr> </table>	1	0	0	1	1	0	0	1	0	R6	R5	R4	R3	R2	R1	R0
1	0	0	1	1	0	0	1										
0	R6	R5	R4	R3	R2	R1	R0										
Machine Cycle:	2																
Operation:	$WR \leftarrow [((TABH) \times 100H + (TABL)) \times 10H + ACC]$																
Description:	The contents of the look-up table ROM location addressed by TABH, TABL and ACC are loaded to R.																
MOVC WR, #I	Move look-up table ROM addressed by #I and ACC to WR																
Machine code:	<table border="1" style="display: inline-table; margin-right: 20px;"> <tr> <td>1</td><td>0</td><td>1</td><td>0</td><td>1</td><td>W3</td><td>W2</td><td>W1</td> </tr> </table> <table border="1" style="display: inline-table;"> <tr> <td>W0</td><td>I6</td><td>I5</td><td>I4</td><td>I3</td><td>I2</td><td>I1</td><td>I0</td> </tr> </table>	1	0	1	0	1	W3	W2	W1	W0	I6	I5	I4	I3	I2	I1	I0
1	0	1	0	1	W3	W2	W1										
W0	I6	I5	I4	I3	I2	I1	I0										
Machine Cycle:	2																
Operation:	$WR \leftarrow [(I6 \sim I0) \times 10H + (ACC)]$																
Description:	The contents of the look-up table ROM location addressed by I6 to I0 and the ACC are loaded to R.																
NOP	No Operation																
Machine Code:	<table border="1" style="display: inline-table; margin-right: 20px;"> <tr> <td>0</td><td>0</td><td>0</td><td>0</td><td>0</td><td>0</td><td>0</td><td>0</td> </tr> </table> <table border="1" style="display: inline-table;"> <tr> <td>0</td><td>0</td><td>0</td><td>0</td><td>0</td><td>0</td><td>0</td><td>0</td> </tr> </table>	0	0	0	0	0	0	0	0	0	0	0	0	0	0	0	0
0	0	0	0	0	0	0	0										
0	0	0	0	0	0	0	0										
Machine Cycle:	1																
Operation:	No Operation																



Instruction Set Table 2, continued

ORL R, ACC	OR R to ACC																
Machine Code:	<table border="1" style="display: inline-table; margin-right: 20px;"> <tr> <td>0</td><td>0</td><td>1</td><td>1</td><td>1</td><td>0</td><td>1</td><td>0</td> </tr> </table> <table border="1" style="display: inline-table;"> <tr> <td>0</td><td>R6</td><td>R5</td><td>R4</td><td>R3</td><td>R2</td><td>R1</td><td>R0</td> </tr> </table>	0	0	1	1	1	0	1	0	0	R6	R5	R4	R3	R2	R1	R0
0	0	1	1	1	0	1	0										
0	R6	R5	R4	R3	R2	R1	R0										
Machine Cycle:	1																
Operation:	$ACC \leftarrow (R) \wedge (ACC)$																
Description:	The contents of the data memory location addressed by R6 to R0 and the ACC are ORed and the result is loaded into the ACC.																
Flag Affected:	ZF																
ORL WR, #I	OR immediate data to WR																
Machine Code:	<table border="1" style="display: inline-table; margin-right: 20px;"> <tr> <td>0</td><td>0</td><td>1</td><td>1</td><td>1</td><td>1</td><td>1</td><td>0</td> </tr> </table> <table border="1" style="display: inline-table;"> <tr> <td>I3</td><td>I2</td><td>I1</td><td>I0</td><td>W3</td><td>W2</td><td>W1</td><td>W0</td> </tr> </table>	0	0	1	1	1	1	1	0	I3	I2	I1	I0	W3	W2	W1	W0
0	0	1	1	1	1	1	0										
I3	I2	I1	I0	W3	W2	W1	W0										
Machine Cycle:	1																
Operation:	$ACC \leftarrow (WR) \wedge I$																
Description:	The contents of the Working Register (WR) and the immediate data I are ORed and the result is loaded into the ACC.																
Flag Affected:	ZF																
ORLR R, ACC	OR R to ACC																
Machine Code:	<table border="1" style="display: inline-table; margin-right: 20px;"> <tr> <td>0</td><td>0</td><td>1</td><td>1</td><td>1</td><td>0</td><td>1</td><td>1</td> </tr> </table> <table border="1" style="display: inline-table;"> <tr> <td>0</td><td>R6</td><td>R5</td><td>R4</td><td>R3</td><td>R2</td><td>R1</td><td>R0</td> </tr> </table>	0	0	1	1	1	0	1	1	0	R6	R5	R4	R3	R2	R1	R0
0	0	1	1	1	0	1	1										
0	R6	R5	R4	R3	R2	R1	R0										
Machine Cycle:	1																
Operation:	$ACC, R \leftarrow (R) \wedge (ACC)$																
Description:	The contents of the data memory location addressed by R6 to R0 and the ACC are ORed and the result is placed in the data memory and the ACC.																
Flag Affected:	ZF																



Instruction Set Table 2, continued

ORLR WR , #I	OR immediate data to WR																
Machine Code:	<table border="1" style="display: inline-table; margin-right: 20px;"> <tr> <td>0</td><td>0</td><td>1</td><td>1</td><td>1</td><td>1</td><td>1</td><td>1</td> </tr> </table> <table border="1" style="display: inline-table;"> <tr> <td>I3</td><td>I2</td><td>I1</td><td>I0</td><td>W3</td><td>W2</td><td>W1</td><td>W0</td> </tr> </table>	0	0	1	1	1	1	1	1	I3	I2	I1	I0	W3	W2	W1	W0
0	0	1	1	1	1	1	1										
I3	I2	I1	I0	W3	W2	W1	W0										
Machine Cycle:	1																
Operation:	$ACC, WR \leftarrow (WR) \wedge I$																
Description:	The contents of the Working Register (WR) and the immediate data I are ORed and the result is placed in the WR and the ACC.																
Flag Affected:	ZF																
RLC R	Rotate Left R with CF																
Machine Code:	<table border="1" style="display: inline-table; margin-right: 20px;"> <tr> <td>0</td><td>1</td><td>0</td><td>0</td><td>1</td><td>1</td><td>0</td><td>0</td> </tr> </table> <table border="1" style="display: inline-table;"> <tr> <td>1</td><td>R6</td><td>R5</td><td>R4</td><td>R3</td><td>R2</td><td>R1</td><td>R0</td> </tr> </table>	0	1	0	0	1	1	0	0	1	R6	R5	R4	R3	R2	R1	R0
0	1	0	0	1	1	0	0										
1	R6	R5	R4	R3	R2	R1	R0										
Machine Cycle:	1																
Operation:	$ACC.n, R.n \leftarrow R.n-1; ACC.0, R.0 \leftarrow CF; CF \leftarrow R.3$																
Description:	The contents of the ACC and the data memory location addressed by R6 to R0 are rotated left one bit, bit 3 is rotated into CF, and CF rotated into bit 0 (LSB). The same contents are loaded into the ACC.																
Flag Affected:	CF & ZF																
RRC R	Rotate Right R with CF																
Machine Code:	<table border="1" style="display: inline-table; margin-right: 20px;"> <tr> <td>0</td><td>1</td><td>0</td><td>0</td><td>1</td><td>1</td><td>0</td><td>1</td> </tr> </table> <table border="1" style="display: inline-table;"> <tr> <td>1</td><td>R6</td><td>R5</td><td>R4</td><td>R3</td><td>R2</td><td>R1</td><td>R0</td> </tr> </table>	0	1	0	0	1	1	0	1	1	R6	R5	R4	R3	R2	R1	R0
0	1	0	0	1	1	0	1										
1	R6	R5	R4	R3	R2	R1	R0										
Machine Cycle:	1																
Operation:	$ACC.n, R.n \leftarrow R.n+1; ACC.3, R.3 \leftarrow CF; CF \leftarrow R.0$																
Description:	The contents of the ACC and the data memory location addressed by R6 to R0 are rotated right one bit, bit 0 is rotated into CF, and CF is rotated into bit 3 (MSB). The same contents are loaded into the ACC.																
Flag Affected:	CF & ZF																



Instruction Set Table 2, continued

RTN	Return from subroutine		
Machine Code:	<table border="1"> <tr> <td>0 0 0 0 0 0 0 1</td> <td>0 0 0 0 0 0 0 0</td> </tr> </table>	0 0 0 0 0 0 0 1	0 0 0 0 0 0 0 0
0 0 0 0 0 0 0 1	0 0 0 0 0 0 0 0		
Machine Cycle:	1		
Operation:	(PC) ← STACK		
Description:	The program counter (PC10 to PC0) is restored from the stack. A return from a subroutine occurs.		
SBC R, ACC	Subtract ACC from R with Borrow		
Machine Code:	<table border="1"> <tr> <td>0 0 0 0 1 0 1 0</td> <td>0 R6 R5 R4 R3 R2 R1 R0</td> </tr> </table>	0 0 0 0 1 0 1 0	0 R6 R5 R4 R3 R2 R1 R0
0 0 0 0 1 0 1 0	0 R6 R5 R4 R3 R2 R1 R0		
Machine Cycle:	1		
Operation:	ACC ← (R) - (ACC) - (CF)		
Description:	The contents of the ACC and CF are binary subtracted from the contents of the data memory location addressed by R6 to R0 and the result is loaded into the ACC.		
Flag Affected:	CF & ZF		
SBC WR, #I	Subtract immediate data from WR with Borrow		
Machine Code:	<table border="1"> <tr> <td>0 0 0 0 1 1 1 0</td> <td>I3 I2 I1 I0 W3 W2 W1 W0</td> </tr> </table>	0 0 0 0 1 1 1 0	I3 I2 I1 I0 W3 W2 W1 W0
0 0 0 0 1 1 1 0	I3 I2 I1 I0 W3 W2 W1 W0		
Machine Cycle:	1		
Operation:	ACC ← (WR) - I - (CF)		
Description:	The immediate data I and CF are binary subtracted from the contents of the WR and the result is loaded into the ACC.		
Flag Affected:	CF & ZF		



Instruction Set Table 2, continued

SBCR R, ACC	Subtract ACC from R with Borrow																
Machine Code:	<table border="1" style="display: inline-table; margin-right: 20px;"> <tr> <td>0</td><td>0</td><td>0</td><td>0</td><td>1</td><td>0</td><td>1</td><td>1</td> </tr> </table> <table border="1" style="display: inline-table;"> <tr> <td>0</td><td>R6</td><td>R5</td><td>R4</td><td>R3</td><td>R2</td><td>R1</td><td>R0</td> </tr> </table>	0	0	0	0	1	0	1	1	0	R6	R5	R4	R3	R2	R1	R0
0	0	0	0	1	0	1	1										
0	R6	R5	R4	R3	R2	R1	R0										
Machine Cycle:	1																
Operation:	$ACC, R \leftarrow (R) - (ACC) - (CF)$																
Description:	The contents of the ACC and CF are binary subtracted from the contents of the data memory location addressed by R6 to R0 and the result is placed in the ACC and the data memory.																
Flag Affected:	CF & ZF																
SBCR WR, #	Subtract immediate data from WR with Borrow																
Machine Code:	<table border="1" style="display: inline-table; margin-right: 20px;"> <tr> <td>0</td><td>0</td><td>0</td><td>0</td><td>1</td><td>1</td><td>1</td><td>1</td> </tr> </table> <table border="1" style="display: inline-table;"> <tr> <td>I3</td><td>I2</td><td>I1</td><td>I0</td><td>W3</td><td>W2</td><td>W1</td><td>W0</td> </tr> </table>	0	0	0	0	1	1	1	1	I3	I2	I1	I0	W3	W2	W1	W0
0	0	0	0	1	1	1	1										
I3	I2	I1	I0	W3	W2	W1	W0										
Machine Cycle:	1																
Operation:	$ACC, R \leftarrow (WR) - I - (CF)$																
Description:	The immediate data I and CF are binary subtracted from the contents of the WR and the result is placed in the ACC and the WR.																
Flag Affected:	CF & ZF																
SET CF	Set CF																
Machine Code:	<table border="1" style="display: inline-table; margin-right: 20px;"> <tr> <td>0</td><td>1</td><td>0</td><td>1</td><td>0</td><td>0</td><td>0</td><td>0</td> </tr> </table> <table border="1" style="display: inline-table;"> <tr> <td>0</td><td>1</td><td>0</td><td>0</td><td>0</td><td>0</td><td>0</td><td>0</td> </tr> </table>	0	1	0	1	0	0	0	0	0	1	0	0	0	0	0	0
0	1	0	1	0	0	0	0										
0	1	0	0	0	0	0	0										
Machine Cycle:	1																
Operation:	Set CF																
Description:	Set Carry Flag to 1.																
Flag Affected:	CF																



Instruction Set Table 2, continued

SET	PMF, #I	Set ParaMeter Flag		
Machine Code:		<table border="1"> <tr> <td>0 0 0 1 0 1 1 0</td> <td>0 0 0 0 I3 I2 I1 I0</td> </tr> </table>	0 0 0 1 0 1 1 0	0 0 0 0 I3 I2 I1 I0
0 0 0 1 0 1 1 0	0 0 0 0 I3 I2 I1 I0			
Machine Cycle:		1		
Operation:		Set Parameter Flag		
Description:		Description of each flag: I0, I1, I2 : Reserved I3 = 1 : The input clock of the watchdog timer is Fosc/16384.		
SHLC	R	SHift Left R with CF and LSB = 0		
Machine Code:		<table border="1"> <tr> <td>0 1 0 0 1 1 0 0</td> <td>0 R6 R5 R4 R3 R2 R1 R0</td> </tr> </table>	0 1 0 0 1 1 0 0	0 R6 R5 R4 R3 R2 R1 R0
0 1 0 0 1 1 0 0	0 R6 R5 R4 R3 R2 R1 R0			
Machine Cycle:		1		
Operation:		ACC.n, R.n ← R.n-1; ACC.0, R.0 ← 0; CF ← R.3		
Description:		The contents of the ACC and the data memory location addressed by R6 to R0 are shifted left one bit, but bit 3 is shifted into CF, and bit 0 (LSB) is replaced with "0." The same contents are loaded into the ACC.		
Flag Affected:		CF & ZF		
SHRC	R	SHift Right R with CF and MSB = 0		
Machine Code:		<table border="1"> <tr> <td>0 1 0 0 1 1 0 1</td> <td>0 R6 R5 R4 R3 R2 R1 R0</td> </tr> </table>	0 1 0 0 1 1 0 1	0 R6 R5 R4 R3 R2 R1 R0
0 1 0 0 1 1 0 1	0 R6 R5 R4 R3 R2 R1 R0			
Machine Cycle:		1		
Operation:		ACC.n, R.n ← R.n+1; ACC.3, R.3 ← 0; CF ← R.0		
Description:		The contents of the ACC and the data memory location addressed by R6 to R0 are shifted right one bit, but bit 0 is shifted into CF, and bit 3 (MSB) is replaced with "0." The same contents are loaded into the ACC.		
Flag Affected:		CF & ZF		



Instruction Set Table 2, continued

SKB0	R	If bit 0 of R is equal to 1 then skip																
Machine Code:		<table border="1" style="display: inline-table; margin-right: 20px;"> <tr> <td>1</td><td>0</td><td>0</td><td>0</td><td>1</td><td>0</td><td>0</td><td>0</td> </tr> </table> <table border="1" style="display: inline-table;"> <tr> <td>0</td><td>R6</td><td>R5</td><td>R4</td><td>R3</td><td>R2</td><td>R1</td><td>R0</td> </tr> </table>	1	0	0	0	1	0	0	0	0	R6	R5	R4	R3	R2	R1	R0
1	0	0	0	1	0	0	0											
0	R6	R5	R4	R3	R2	R1	R0											
Machine Cycle:		1																
Operation:		PC ← (PC) + 2; if R.0 = "1"																
Description:		If bit 0 of R is equal to 1, the program counter is incremented by 2 and a skip is produced. If bit 0 of R is not equal to 1, the program counter (PC) is incremented.																
SKB1	R	If bit 1 of R is equal to 1 then skip																
Machine Code:		<table border="1" style="display: inline-table; margin-right: 20px;"> <tr> <td>1</td><td>0</td><td>0</td><td>0</td><td>1</td><td>0</td><td>0</td><td>0</td> </tr> </table> <table border="1" style="display: inline-table;"> <tr> <td>1</td><td>R6</td><td>R5</td><td>R4</td><td>R3</td><td>R2</td><td>R1</td><td>R0</td> </tr> </table>	1	0	0	0	1	0	0	0	1	R6	R5	R4	R3	R2	R1	R0
1	0	0	0	1	0	0	0											
1	R6	R5	R4	R3	R2	R1	R0											
Machine Cycle:		1																
Operation:		PC ← (PC) + 2; if R.1 = "1"																
Description:		If bit 1 of R is equal to 1, the program counter is incremented by 2 and a skip is produced. If bit 1 of R is not equal to 1, the program counter (PC) is incremented.																
SKB2	R	If bit 2 of R is equal to 1 then skip																
Machine Code:		<table border="1" style="display: inline-table; margin-right: 20px;"> <tr> <td>1</td><td>0</td><td>0</td><td>0</td><td>1</td><td>0</td><td>1</td><td>0</td> </tr> </table> <table border="1" style="display: inline-table;"> <tr> <td>0</td><td>R6</td><td>R5</td><td>R4</td><td>R3</td><td>R2</td><td>R1</td><td>R0</td> </tr> </table>	1	0	0	0	1	0	1	0	0	R6	R5	R4	R3	R2	R1	R0
1	0	0	0	1	0	1	0											
0	R6	R5	R4	R3	R2	R1	R0											
Machine Cycle:		1																
Operation:		PC ← (PC) + 2; if R.2 = "1"																
Description:		If bit 2 of R is equal to 1, the program counter is incremented by 2 and a skip is produced. If bit 2 of R is not equal to 1. The program counter (PC) is incremented.																



Instruction Set Table 2, continued

SKB3 R	If bit 3 of R is equal to 1 then skip																
Machine Code:	<table border="1" style="display: inline-table; margin-right: 20px;"> <tr> <td>1</td><td>0</td><td>0</td><td>0</td><td>1</td><td>0</td><td>1</td><td>0</td> </tr> </table> <table border="1" style="display: inline-table;"> <tr> <td>1</td><td>R6</td><td>R5</td><td>R4</td><td>R3</td><td>R2</td><td>R1</td><td>R0</td> </tr> </table>	1	0	0	0	1	0	1	0	1	R6	R5	R4	R3	R2	R1	R0
1	0	0	0	1	0	1	0										
1	R6	R5	R4	R3	R2	R1	R0										
Machine Cycle:	1																
Operation:	$PC \leftarrow (PC) + 2$; if R.3 = "1"																
Description:	If bit 3 of R is equal to 1, the program counter is incremented by 2 and a skip is produced. If bit 3 of R is not equal to 1, the program counter (PC) is incremented.																
STOP	Enter the STOP mode																
Machine Code:	<table border="1" style="display: inline-table; margin-right: 20px;"> <tr> <td>0</td><td>0</td><td>0</td><td>0</td><td>0</td><td>0</td><td>0</td><td>0</td> </tr> </table> <table border="1" style="display: inline-table;"> <tr> <td>1</td><td>1</td><td>0</td><td>0</td><td>0</td><td>0</td><td>0</td><td>0</td> </tr> </table>	0	0	0	0	0	0	0	0	1	1	0	0	0	0	0	0
0	0	0	0	0	0	0	0										
1	1	0	0	0	0	0	0										
Machine Cycle:	1																
Operation:	STOP oscillator																
Description:	Device enters STOP mode. When signal on the \overline{INT} pin goes low or the falling edge signal of RC port is accepted, the μC will wake up and execute the next instruction.																
SUB R, ACC	Subtract ACC from R																
Machine Code:	<table border="1" style="display: inline-table; margin-right: 20px;"> <tr> <td>0</td><td>0</td><td>0</td><td>1</td><td>1</td><td>0</td><td>1</td><td>0</td> </tr> </table> <table border="1" style="display: inline-table;"> <tr> <td>0</td><td>R6</td><td>R5</td><td>R4</td><td>R3</td><td>R2</td><td>R1</td><td>R0</td> </tr> </table>	0	0	0	1	1	0	1	0	0	R6	R5	R4	R3	R2	R1	R0
0	0	0	1	1	0	1	0										
0	R6	R5	R4	R3	R2	R1	R0										
Machine Cycle:	1																
Operation:	$ACC \leftarrow (R) - (ACC)$																
Description:	The contents of the ACC are binary subtracted from the contents of the data memory location addressed by R6 to R0 and the result is loaded into the ACC.																
Flag Affected:	CF & ZF																



Instruction Set Table 2, continued

SUB WR , #I	Subtract immediate data from WR	
Machine Code:	0 0 0 1 1 1 1 0	I3 I2 I1 I0 W3 W2 W1 W0
Machine Cycle:	1	
Operation:	ACC ← (WR) - I	
Description:	The immediate data I are binary subtracted from the contents of the WR and the result is loaded into the ACC.	
Flag Affected:	CF & ZF	
SUBR R, ACC	Subtract ACC from R	
Machine Code:	0 0 0 1 1 0 1 1	0 R6 R5 R4 R3 R2 R1 R0
Machine Cycle:	1	
Operation:	ACC, R ← (R) - (ACC)	
Description:	The contents of the ACC are binary subtracted from the contents of the data memory location addressed by R6 to R0 and the result is placed in the ACC and the data memory.	
Flag Affected:	CF & ZF	
SUBR WR , #I	Subtract immediate data from WR	
Machine Code:	0 0 0 1 1 1 1 1	I3 I2 I1 I0 W3 W2 W1 W0
Machine Cycle:	1	
Operation:	ACC, WR ← (WR) - I	
Description:	The immediate data I are binary subtracted from the contents of the WR and the result is placed in the ACC and the WR.	
Flag Affected:	CF & ZF	



Instruction Set Table 2, continued

XRL R, ACC	Exclusive OR R to ACC																	
Machine Code:	<table border="1"><tr><td>0</td><td>0</td><td>1</td><td>1</td><td>1</td><td>0</td><td>0</td><td>0</td></tr></table>	0	0	1	1	1	0	0	0	<table border="1"><tr><td>0</td><td>R6</td><td>R5</td><td>R4</td><td>R3</td><td>R2</td><td>R1</td><td>R0</td></tr></table>	0	R6	R5	R4	R3	R2	R1	R0
0	0	1	1	1	0	0	0											
0	R6	R5	R4	R3	R2	R1	R0											
Machine Cycle:	1																	
Operation:	ACC ← (R) EX (ACC)																	
Description:	The contents of the data memory location addressed by R6 to R0 and the ACC are exclusive-ORed and the result is loaded into the ACC.																	
Flag Affected:	ZF																	
XRL WR, #I	Exclusive OR immediate data to WR																	
Machine Code:	<table border="1"><tr><td>0</td><td>0</td><td>1</td><td>1</td><td>1</td><td>1</td><td>0</td><td>0</td></tr></table>	0	0	1	1	1	1	0	0	<table border="1"><tr><td>I3</td><td>I2</td><td>I1</td><td>I0</td><td>W3</td><td>W2</td><td>W1</td><td>W0</td></tr></table>	I3	I2	I1	I0	W3	W2	W1	W0
0	0	1	1	1	1	0	0											
I3	I2	I1	I0	W3	W2	W1	W0											
Machine Cycle:	1																	
Operation:	ACC ← (WR) EX I																	
Description:	The contents of the Working Register (WR) and the immediate data I are exclusive-ORed and the result is loaded into the ACC.																	
Flag Affected:	ZF																	
XRLR R, ACC	Exclusive OR R to ACC																	
Machine Code:	<table border="1"><tr><td>0</td><td>0</td><td>1</td><td>1</td><td>1</td><td>0</td><td>0</td><td>1</td></tr></table>	0	0	1	1	1	0	0	1	<table border="1"><tr><td>0</td><td>R6</td><td>R5</td><td>R4</td><td>R3</td><td>R2</td><td>R1</td><td>R0</td></tr></table>	0	R6	R5	R4	R3	R2	R1	R0
0	0	1	1	1	0	0	1											
0	R6	R5	R4	R3	R2	R1	R0											
Machine Cycle:	1																	
Operation:	ACC, R ← (R) EX (ACC)																	
Description:	The contents of the data memory location addressed by R6 to R0 and the ACC are exclusive-ORed and the result is placed in the data memory and the ACC.																	
Flag Affected:	ZF																	



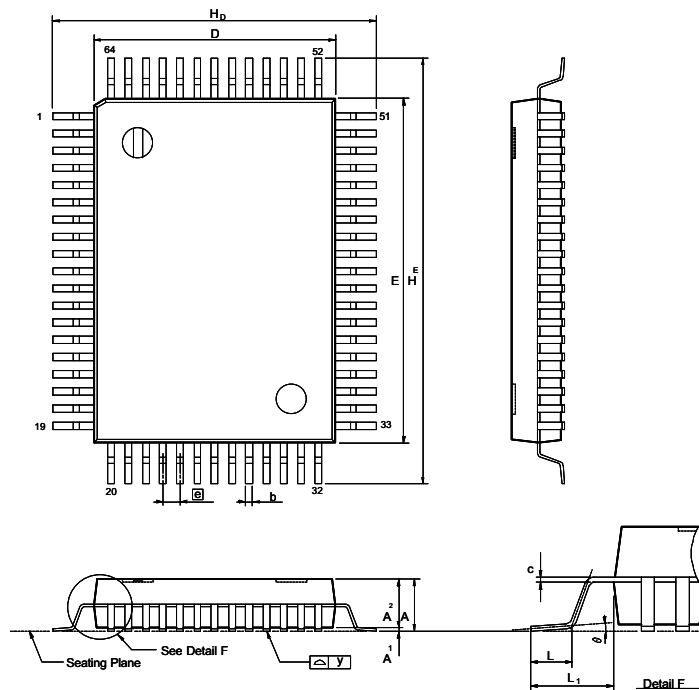
Instruction Set Table 2, continued

XRLR	WR, #I	Exclusive OR immediate data to WR																
Machine Code:		<table border="1" style="display: inline-table; vertical-align: middle;"> <tr> <td>0</td><td>0</td><td>1</td><td>1</td><td>1</td><td>1</td><td>0</td><td>1</td> </tr> </table> <table border="1" style="display: inline-table; vertical-align: middle; margin-left: 20px;"> <tr> <td>I3</td><td>I2</td><td>I1</td><td>I0</td><td>W3</td><td>W2</td><td>W1</td><td>W0</td> </tr> </table>	0	0	1	1	1	1	0	1	I3	I2	I1	I0	W3	W2	W1	W0
0	0	1	1	1	1	0	1											
I3	I2	I1	I0	W3	W2	W1	W0											
Machine Cycle:		1																
Operation:		ACC, WR ← (WR) EX I																
Description:		The contents of the Working Register (WR) and the immediate data I are exclusive-ORed and the result is placed in the WR and the ACC.																
Flag Affected:		ZF																



PACKAGE DIMENSIONS

64-Lead QFP ($14 \times 20 \times 2.75\text{mm}$ footprint 4.8mm)



Symbol	Dimension in inches			Dimension in mm		
	Min.	Nom	Max.	Min.	Nom	Max.
A	—	—	0.130	—	—	3.30
A ₁	0.004	—	—	0.10	—	—
A ₂	0.107	0.112	0.117	2.73	2.85	2.97
b	0.014	0.016	0.020	0.35	0.40	0.50
c	0.004	0.006	0.010	0.10	0.15	0.25
D	0.546	0.551	0.556	13.87	14.00	14.13
E	0.782	0.787	0.792	19.87	20.00	20.13
\bar{E}	0.033	0.039	0.045	0.85	1.00	1.15
H _D	0.728	0.740	0.752	18.49	18.80	19.10
H _E	0.964	0.976	0.988	24.49	24.80	25.10
L	0.039	0.047	0.055	1.00	1.20	1.40
L ₁	0.087	0.094	0.103	2.21	2.40	2.62
y	—	—	0.004	—	—	0.10
θ	0°	—	12°	0°	—	12°



NOTES:



Headquarters

No. 4, Creation Rd. III,
Science-Based Industrial Park,
Hsinchu, Taiwan
TEL: 886-3-5770066
FAX: 886-3-5792766
<http://www.winbond.com.tw/>
Voice & Fax-on-demand: 886-2-27197006

Taipei Office

11F, No. 115, Sec. 3, Min-Sheng East Rd.,
Taipei, Taiwan
TEL: 886-2-27190505
FAX: 886-2-27197502

Winbond Electronics (H.K.) Ltd.

Rm. 803, World Trade Square, Tower II,
123 Hoi Bun Rd., Kwun Tong,
Kowloon, Hong Kong
TEL: 852-27513100
FAX: 852-27552064

Winbond Electronics North America Corp.

Winbond Memory Lab.
Winbond Microelectronics Corp.
Winbond Systems Lab.

2727 N. First Street, San Jose,
CA 95134, U.S.A.
TEL: 408-9436666
FAX: 408-5441798

Note: All data and specifications are subject to change without notice.